

# GlowBeam Recessed – GBR

LED – 130 mm x 76 mm (visible beam height)

## FEATURES

Recessed Luminaire with a Protruded Acrylic Light Conveyor

Four Lengths:

615 mm

915 mm

1215 mm

1515mm

Direct Distribution

Up to 3937 LM  
and 69 LM/W

Four Standard  
Output Options

Tunable White and  
RGB+W Options

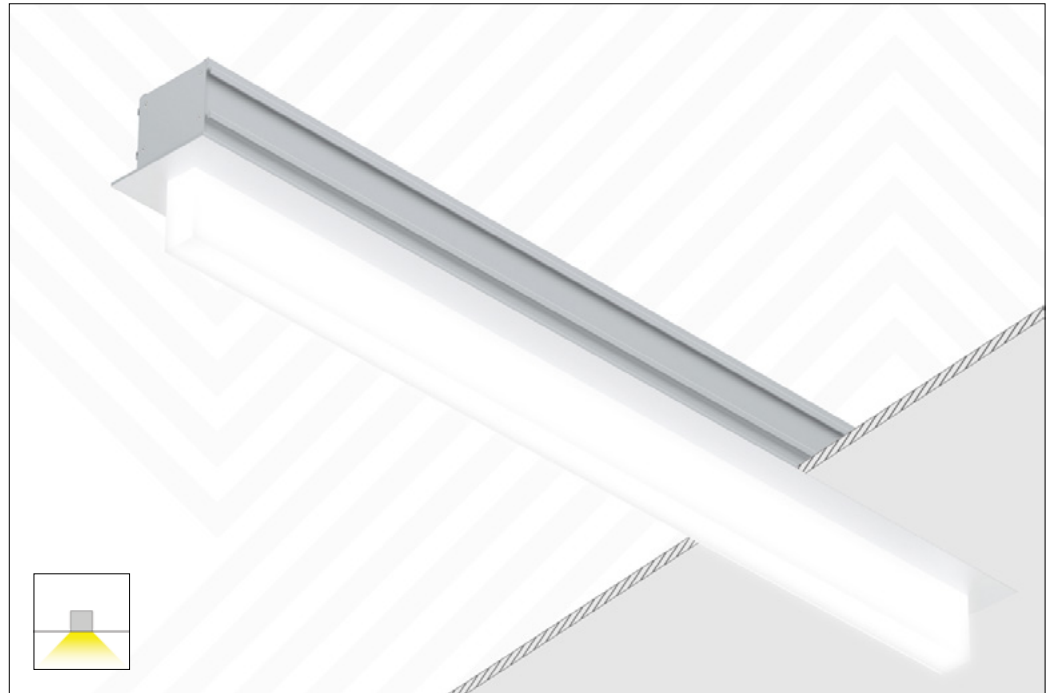
Integral DALI, DMX,  
10V or Phase Driver

Dimming Down to 0%

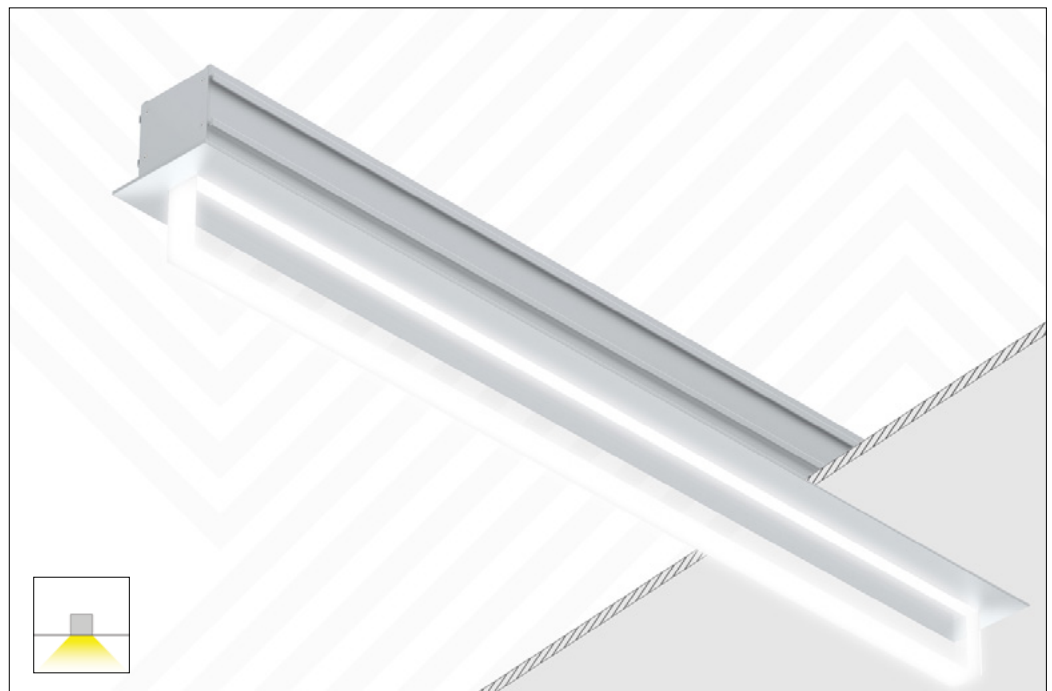
Remote Sensor  
Options

Aluminium, White,  
Black, Bronze or  
Custom RAL Finish

## OPAQUE, FULLY FROSTED



## TRANSLUCENT, FROSTED EDGES



## INSTRUCTIONS

Digital users: Check selection boxes and fill in fields directly in fillable, interactive PDF, save file, submit to Light Forms.

Manual users: Check selection boxes and fill in fields with pen, scan and save ALL pages as PDF document, submit to Light Forms.

## 1. BASE MODEL / MOUNTING & CEILING TYPE Select ONE and enter known ceiling details in field to right

<b>GBR-PB</b>	Recessed, Plasterboard Ceiling
<b>GBR-DT</b>	Recessed, Drop Tile Ceiling
<b>GBR-O</b>	Recessed, Other Ceiling Type

## 2. SIZE\* Select ONE

<b>615</b>	615 mm overall length
<b>915</b>	915 mm overall length
<b>1215</b>	1215 mm overall length
<b>1515</b>	1515 mm overall length

## 3. DIRECT LINEAR LAMPING & LENS Select NONE or ONE from each category (note exceptions below)

OUTPUT	CRI	CCT	ACRYLIC BEAM LENS	
<b>MIN</b>	<b>80</b>	<b>2700K</b>	<b>OPAQ</b>	Opaque acrylic with all sides fully frosted
<b>LOW</b>	<b>90</b>	<b>3000K</b>		
<b>MED</b>		<b>3500K</b>		
<b>HI</b>		<b>4000K</b>	<b>TRANS</b>	Transparent acrylic with frosted edges only
<b>TUNE/LOW*</b>		<b>5000K</b>		
<b>TUNE/MED*</b>		<b>6500K</b>		
<b>RGBW^</b>				

\*For TUNE/LOW and TUNE/MED, CRI and CCT do not apply (leave unchecked).

^For RGBW, CRI does not apply (leave unchecked) and select 3000K or 4000K CCT only. White LEDs can remain uncommissioned for RGB-only output.

## 4. INTEGRAL DRIVER\* Select ONE

<b>NONDIM</b>	Non-dimming
<b>DALI#</b>	DALI driver, dimming down to 1%
<b>1/10V</b>	1-10V, dimming down to 1%
<b>0/10V</b>	0-10V, dimming down to 0%
<b>DMX^</b>	DMX driver, dimming down to 1%
<b>PHASE</b>	For use with phase-cut triac, IGBT or sine wave dimmer switches

#DALI is required for use with TUNE/S; DALI (or DMX) is required for RGB/S

^DMX (or DALI) is required for use with RGB/S

## 6. FINISH\* Select ONE

---

<b>AL</b>	Anodised aluminium (standard)
<b>WH</b>	White powdercoat
<b>BLK</b>	Black powdercoat
<b>BZ</b>	Metallic bronze powdercoat
<b>RAL/ _ _ _ _</b>	Custom RAL# colour powdercoat, ex: RAL/3000

*\*Contact factory for additional finish options including Interpon, Farrow & Ball and silver and gold plating*

*\*See RAL colour options and codes at [lightforms.com/RAL](http://lightforms.com/RAL)*

## 7. OPTIONAL ADD-ONS Select as many as apply

---

### A. EMERGENCY

<b>EM</b>	Integral, 3-hour emergency battery, manual testing
<b>EM/DALI</b>	Integral, 3-hour emergency battery with DALI interface, automatic testing
<b>EC</b>	Emergency circuit

### B. SENSOR

<b>PRES</b>	Integral, PIR presence detector
<b>DALI/PRES</b>	Integral, DALI-compatible PIR presence detector
<b>PHOTO</b>	Integral, photocell/daylight detector

### C. WIRELESS CONTROL

<b>OLP*</b>	Remote, Osram Lightify Pro wireless control module
-------------	--

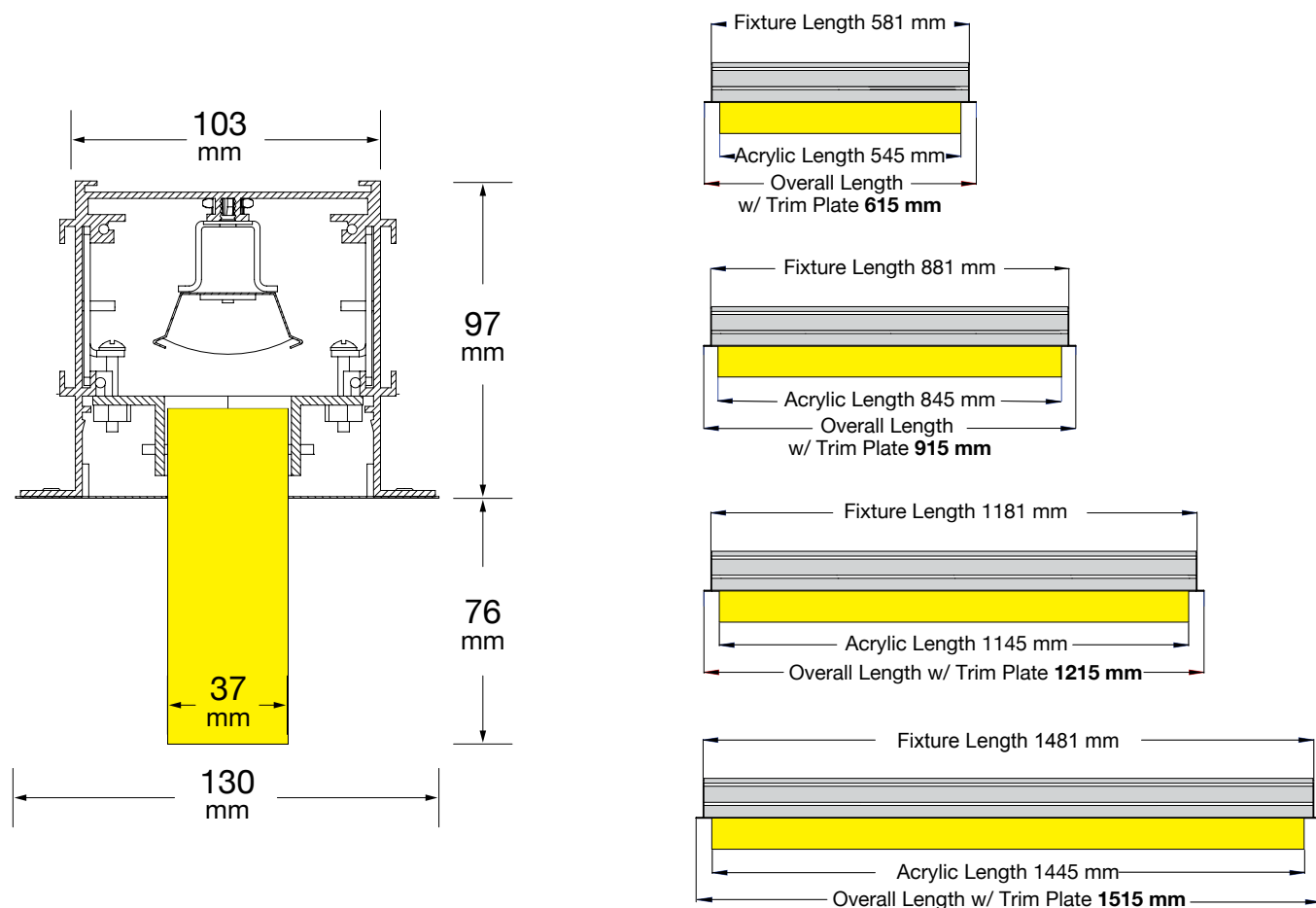
*\*Must choose DALI option in DRIVER section.*

# GlowBeam Recessed

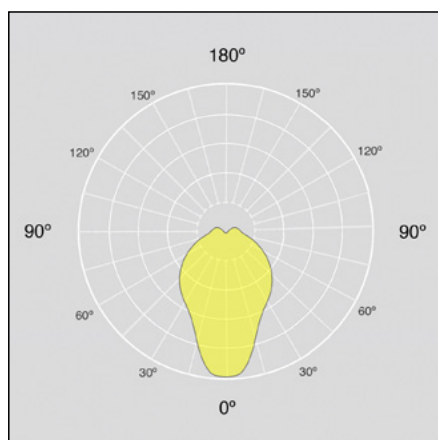
GBR | Recessed Mounting with Protruded Light Conveyor

**LIGHT  
FORMS**

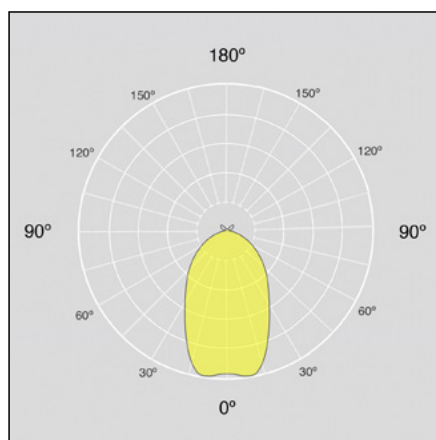
## DIMENSIONS



## DISTRIBUTION



Opaque, Fully Frosted  
**OPAQ**



Translucent, Frosted Edges  
**TRANS**

## DIRECT LED LAMPING – OPTIONS & PERFORMANCE DATA\*

OUTPUT OPTIONS	SIZE / LENS OPTIONS LENGTH IN MM / STYLE	DELIVERED LUMENS LM	WATTS W	EFFICACY LM/W	CRI OPTIONS	CCT OPTIONS	WEIGHT G
<b>MIN#</b>	<b>615 / OPAQ</b>	325	6.7	48	<b>80 90</b>	<b>2700K 3000K 3500K 4000K 5000K 6500K</b>	5450
	<b>615 / TRANS</b>	345		51			
	<b>915 / OPAQ</b>	487	10.1	48			8450
	<b>915 / TRANS</b>	517		51			
	<b>1215 / OPAQ</b>	650	13.4	48			11450
	<b>1215 / TRANS</b>	690		51			
	<b>1515 / OPAQ</b>	812	16.8	48			14450
	<b>1515 / TRANS</b>	862		51			
<b>LOW#</b>	<b>615 / OPAQ</b>	465	7.5	62	<b>80 90</b>	<b>2700K 3000K 3500K 4000K 5000K 6500K</b>	5450
	<b>615 / TRANS</b>	493		66			
	<b>915 / OPAQ</b>	697	11.3	62			8450
	<b>915 / TRANS</b>	740		66			
	<b>1215 / OPAQ</b>	930	15	62			11450
	<b>1215 / TRANS</b>	987		66			
	<b>1515 / OPAQ</b>	1162	18.8	62			14450
	<b>1515 / TRANS</b>	1233		66			
<b>MED#</b>	<b>615 / OPAQ</b>	906	14	65	<b>80 90</b>	<b>2700K 3000K 3500K 4000K 5000K 6500K</b>	5450
	<b>615 / TRANS</b>	962		69			
	<b>915 / OPAQ</b>	1359	21	65			8450
	<b>915 / TRANS</b>	1443		69			
	<b>1215 / OPAQ</b>	1812	28	65			11450
	<b>1215 / TRANS</b>	1924		69			
	<b>1515 / OPAQ</b>	2265	35	65			14450
	<b>1515 / TRANS</b>	2405		69			

See More Direct Lamping Options & Performance Data on Next Page...

Cont'd... **DIRECT LED LAMPING – OPTIONS & PERFORMANCE DATA\***

OUTPUT OPTIONS	SIZE / LENS OPTIONS LENGTH IN MM / STYLE	DELIVERED LUMENS LM	WATTS W	EFFICACY LM/W	CRI OPTIONS	CCT OPTIONS	WEIGHT G
HI#	615 / OPAQ	1497	25	60	80 90	2700K 3000K 3500K 4000K 5000K 6500K	5450
	615 / TRANS	1589		64			
	915 / OPAQ	2245	37.5	60			8450
	915 / TRANS	2384		64			
	1215 / OPAQ	2994	49.5	60			11450
	1215 / TRANS	3179		64			
	1515 / OPAQ	3742	62.4	60			14450
	1515 / TRANS	3973		64			
TUNE/LOW#	615 / OPAQ	373	7.8	48	80 90	2700K 3000K 3500K 4000K 5000K 6500K	5450
	615 / TRANS	396		51			
	915 / OPAQ	559	11.8	48			8450
	915 / TRANS	594		51			
	1215 / OPAQ	746	15.7	48			11450
	1215 / TRANS	792		51			
	1515 / OPAQ	932	19.6	48			14450
	1515 / TRANS	990		51			
TUNE/MED#	615 / OPAQ	529	12.3	43	80 90	2700K 3000K 3500K 4000K 5000K 6500K	5450
	615 / TRANS	561		46			
	915 / OPAQ	793	18.5	43			8450
	915 / TRANS	842		46			
	1215 / OPAQ	1057	24.6	43			11450
	1215 / TRANS	1122		46			
	1515 / OPAQ	1322	30.8	43			14450
	1515 / TRANS	1403		46			

See More Direct Lamping Options & Performance Data on Next Page...

Cont'd... **DIRECT LED LAMPING – OPTIONS & PERFORMANCE DATA\***

OUTPUT OPTIONS	SIZE / LENS OPTIONS  LENGTH IN MM / STYLE	DELIVERED LUMENS  LM	WATTS  W	EFFICACY  LM/W	CRI OPTIONS	CCT OPTIONS	WEIGHT  G
<b>RGBW</b>	<b>615 / OPAQ</b>	system - N/A	10.8	N/A	N/A (entire system)  80 (white only)	<b>3000K 4000K</b>	5450
		white only - 110	5	22			
	<b>615 / TRANS</b>	system - N/A	10.8	N/A			
		white only - 116	5	23			
	<b>915 / OPAQ</b>	system - N/A	16.1	N/A			
		white only - 165	7.6	22			
	<b>915 / TRANS</b>	system - N/A	16.1	N/A			
		white only - 175	7.6	23			
	<b>1215 / OPAQ</b>	system - N/A	21.5	N/A			
		white only - 220	10.8	22			
	<b>1215 / TRANS</b>	system - N/A	21.5	N/A			
		white only - 233	10.8	23			
	<b>1515 / OPAQ</b>	system - N/A	26.9	N/A			
		white only - 274	12.6	22			
	<b>1515 / TRANS</b>	system - N/A	26.9	N/A			
		white only - 291	12.6	23			

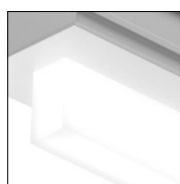
**L80 > 50,000 hours**

**Luminous flux +/- 5%**

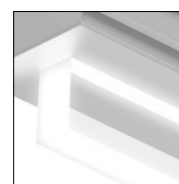
*\*Performance data is based on a connected-load photometric test of MED output with 80 CRI at 4000K using a DALI driver. Data values for all other outputs are extrapolations.*

## ACRYLIC LENS BEAM

OPAQ is an opaque acrylic beam that is fully frosted on all sides and surfaces. TRANS is a transparent acrylic beam with frosted ends and bottom.



Opaque  
**OPAQ**



Translucent  
**TRANS**

## SPECIFICATION DETAILS

### HOUSING

100% recyclable, extruded architectural grade aluminium with minimum 2mm thickness.

### FINISH OPTIONS

Standard finish is "Ultimatte" aluminium - a smooth, clean and durable finish achieved from a deep etch, two-step clear anodising process. White, Black, Bronze or custom RAL powdercoat options are also specifiable. Contact Light Forms for other finish options (Interpon, Farrow & Ball and silver and gold plating).



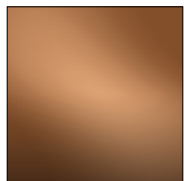
Aluminium  
AL



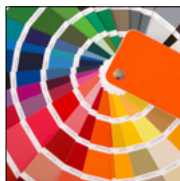
White  
WH



Black  
BLK



Bronze  
BZ



Custom RAL  
RAL

View all RAL  
colour options at:  
<https://lightforms.com/RAL>

### RECESSED MOUNTING & CEILING TYPES

Light Forms' recessed luminaires are designed to be installed into a multitude of hard surface and drop tile ceilings. Select appropriate type on Page 2 and enter in any and all know details such as material, thickness, manufacturer, model number and size. Specific mounting options and drawings will be provided once the product is specified and ordered.

### REMOTE SENSORS

Optional, presence (PRES), DALI-compatible PIR presence (DALI/PRES) and daylight harvesting (PHOTO) sensors available. Contact Light Forms for further information.

### WEIGHT

Approximately 5450-14450 grams per unit. Weight may vary depending on mounting and other options.

### OPERATING TEMPERATURE

Luminaire MUST be installed and operated ONLY in dry or damp environments where the ambient temperature ranges from -20°C to 50°C. Luminaire operation in environments outside this temperature range voids the warranty AND may damage the product or adversely impact lamp life, lumen output and colour consistency.

### WARRANTY

5-year limited warranty. Details: [lightforms.com/warranty](https://lightforms.com/warranty)

### MANUFACTURING & CERTIFICATION

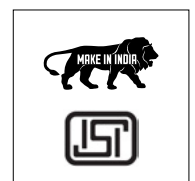
Products are manufactured in and comply with the health, safety and environmental protection standards of the respective region in which they are sold as indicated below.



Europe



Asia



Greater India  
+ Middle East