

MoonBand 90 – MB90

LED – 90 mm x 73 mm

FEATURES

Six Diameter
Options:

900 mm
1200 mm
1500 mm
1800 mm
2400 mm
3000 mm

Direct/Indirect, Direct
or Indirect Distribution

Up to 43,935 LM
and 98 LM/W

Five Standard
Output Options

RGB+W Option

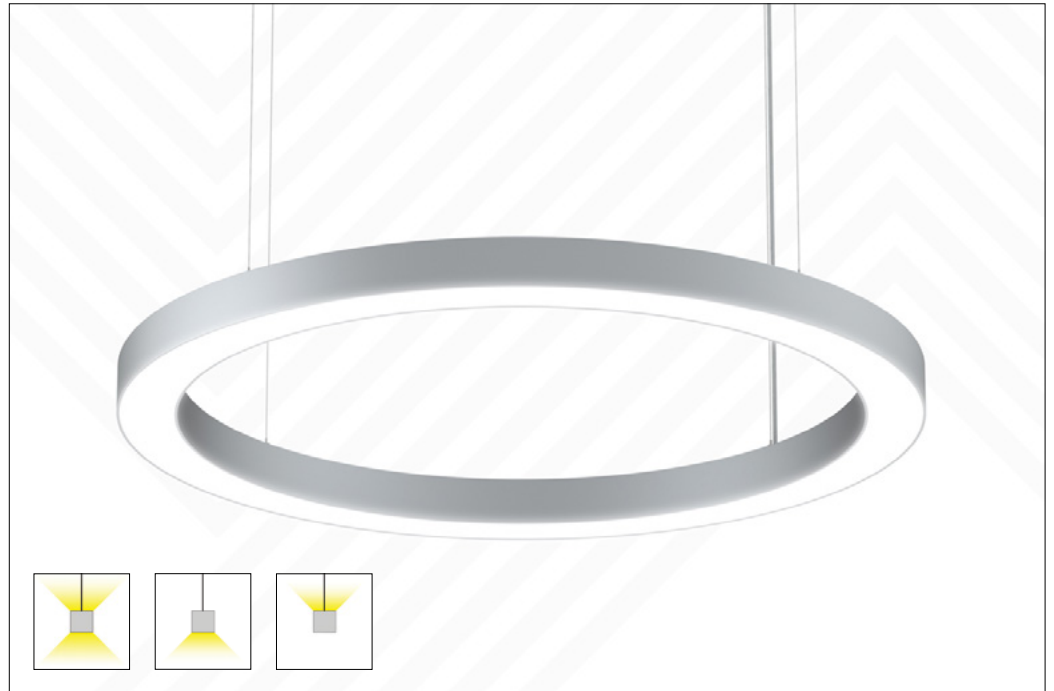
Integral DALI, DMX,
10V or Phase Driver

Dimming Down to 0%

Integral Sensor
Options

Silver, White, Black,
Bronze or Custom
RAL Finish

SUSPENDED



SURFACE



MoonBand 90

MB90 | Suspended, Surface

**LIGHT
FORMS**

INSTRUCTIONS

Digital users: Check selection boxes and fill in fields directly in fillable, interactive PDF, save file, submit to Light Forms.

Manual users: Check selection boxes and fill in fields with pen, scan and save ALL pages as PDF document, submit to Light Forms.

1. BASE MODEL / MOUNTING Select ONE

MB90S	Suspended
MB90SM	Surface-Mount (direct lamping only)

2. SIZE* Select ONE

900	900 mm diameter
1200	1200 mm diameter
1500	1500 mm diameter
1800	1800 mm diameter
2400	2400 mm diameter
3000	3000 mm diameter

3. DIRECT LAMPING & LENS Select NONE or ONE from each category (note exceptions below)

NONE Select when specifying an INDIRECT-ONLY fixture

<u>OUTPUT</u>	<u>CRI</u>	<u>CCT</u>	<u>LENS</u>
MIN	80	2700K	DIFF/F <small>Diffuse, flush (std.)</small>
LOW	90	3000K	
MED		3500K	
HI^Ω		4000K	<small>^ΩIf selecting BOTH direct and indirect lamping, note the highest output possible is MED/HI or HI/MED.</small>
MAX^Ω		5000K	<small>^ΩFor RGBW, CRI does not apply (leave unchecked) and select 3000K or 4000K CCT only. White LEDs can remain uncommissioned for RGB-only output.</small>
RGBW[^]		6500K	

4. INDIRECT LAMPING & LENS Select NONE or ONE from each category (note exceptions below)

NONE Select when specifying a DIRECT-ONLY fixture

<u>OUTPUT</u>	<u>CRI</u>	<u>CCT</u>	<u>LENS</u>
MIN	80	2700K	DIFF/F <small>Diffuse, flush (std.)</small>
LOW	90	3000K	
MED		3500K	
HI^Ω		4000K	<small>^ΩIf selecting BOTH direct and indirect lamping, note the highest output possible is MED/HI or HI/MED.</small>
MAX^Ω		5000K	<small>^ΩFor RGBW, CRI does not apply (leave unchecked) and select 3000K or 4000K CCT only. White LEDs can remain uncommissioned for RGB-only output.</small>
RGBW[^]		6500K	

5. DOWNLIGHT SPOTS* Select NONE or ONE from EVERY category (note exceptions below)

NONE

Select when specifying standard indirect lighting only; direct channel must be all lensed output or all spots

<u>QUANTITY*</u>	<u>OUTPUT</u>	<u>CRI</u>	<u>CCT</u>	<u>BEAM DEGREE</u>
	MIN/S	80	2700K	15 15° spread
	LOW/S	90	3000K	25 25° spread
	TUNE/S#		4000K	40 40° spread
	RGB/S#			

*Contact Light Forms for desired spacing of spots within the fixture

#For TUNE/S and RGB/S, CRI and CCT do not apply (leave unchecked)

6. INTEGRAL DRIVER* Select ONE

NONDIM	Non-dimming
DALI#	DALI driver, dimming down to 1%
1/10V	1-10V, dimming down to 1%
0/10V	0-10V, dimming down to 0%
DMX^	DMX driver, dimming down to 1%
PHASE	For use with phase-cut triac, IGBT or sine wave dimmer switches

#DALI is required for use with TUNE/S; DALI (or DMX) is required for RGB/S

^DMX (or DALI) is required for use with RGB/S

7. FINISH* Select ONE

SV	Metallic silver powdercoat
WH	White powdercoat
BLK	Black powdercoat
BZ	Metallic bronze powdercoat
RAL/ _ _ _ _	Custom RAL# colour powdercoat, ex: RAL/3000

*Contact factory for additional finish options including Interpon, Farrow & Ball and silver and gold plating

#See RAL colour options and codes at lightforms.com/RAL

8. POWERFEED COLOUR Select ONE

GP	Grey (standard for suspended, default for other mountings)
WP	White
BP	Black
TP	Transparent
XP	Custom colour (contact Light Forms for options)

9. CANOPY Select ONE

NONE	Select NONE when specifying surface mount
STD	115 mm canopy for each separate powerfeed and suspension point (standard)
SMALL	82 mm canopy for each separate powerfeed and suspension point
COMBO	115 mm combo canopy for locations with both a powerfeed and suspension point
CCSTD	115 mm centralised combo canopy for powerfeed and all cables
CCLG	360 mm centralised combo canopy for powerfeed and all cables

10. OPTIONAL ADD-ONS Select as many as apply

A. EMERGENCY

EM	Integral, 3-hour emergency battery, manual testing
EM/DALI	Integral,, 3-hour emergency battery with DALI interface, automatic testing
EC	Emergency circuit

B. SENSOR

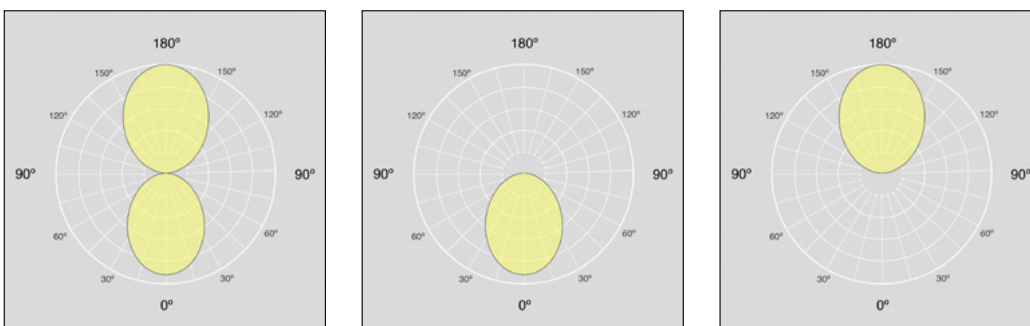
PRES	Integral, PIR presence detector
DALI/PRES	Integral, DALI-compatible PIR presence detector
PHOTO	Integral, photocell/daylight detector

C. WIRELESS CONTROL

OLP*	Integral, Osram Lightify Pro wireless control module
-------------	------------------------------------------------------

**Must choose DALI option in DRIVER section.*

DISTRIBUTION

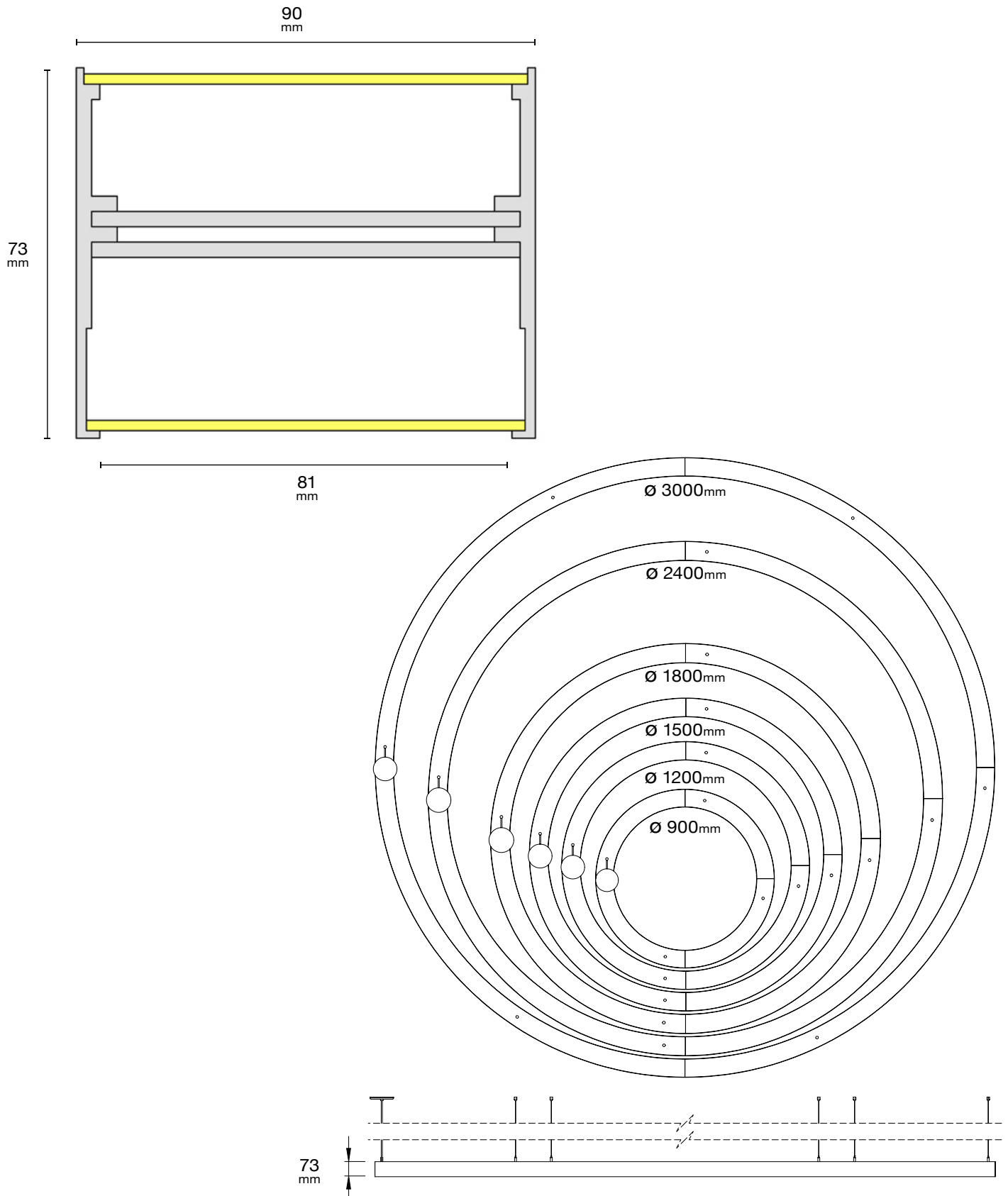


MoonBand 90

MB90 | Suspended, Surface

**LIGHT
FORMS**

DIMENSIONS



MoonBand 90

MB90 | Suspended, Surface

**LIGHT
FORMS**

DIRECT LED LAMPING – OPTIONS & PERFORMANCE DATA*

OUTPUT OPTIONS	SIZE OPTIONS DIAMETER	DELIVERED LUMENS LM	WATTS W	EFFICACY LM/W	CRI OPTIONS	CCT OPTIONS	WEIGHT G
MIN#	900	2518	34	74	80 90	2700K 3000K 3500K 4000K 5000K 6500K	8116
	1200	3357	45				10822
	1500	4197	57				13527
	1800	5036	68				16233
	2400	6715	90				21643
	3000	8393	113				27054
LOW#	900	3600	38	95	80 90	2700K 3000K 3500K 4000K 5000K 6500K	8116
	1200	4800	50				10822
	1500	6001	63				13527
	1800	7201	76				16233
	2400	9601	101				21643
	3000	12001	126				27054
MED#	900	7020	71	99	80 90	2700K 3000K 3500K 4000K 5000K 6500K	8116
	1200	9360	94				10822
	1500	11700	118				13527
	1800	14040	141				16233
	2400	18719	188				21643
	3000	23399	236				27054
HI#	900	11598	126	92	80 90	2700K 3000K 3500K 4000K 5000K 6500K	8116
	1200	15464	168				10822
	1500	19330	210				13527
	1800	23196	252				16233
	2400	30928	336				21643
	3000	38660	420				27054

See More Direct Lamping Options & Performance Data on Next Page...

MoonBand 90

MB90 | Suspended, Surface

**LIGHT
FORMS**

Cont'd... DIRECT LED LAMPING – OPTIONS & PERFORMANCE DATA*

OUTPUT OPTIONS	SIZE OPTIONS DIAMETER	DELIVERED LUMENS LM	WATTS W	EFFICACY LM/W	CRI OPTIONS	CCT OPTIONS	WEIGHT G
MAX#	900	12983	194	67	80 90	2700K 3000K 3500K 4000K 5000K 6500K	8116
	1200	17310	259				10822
	1500	21638	324				13527
	1800	25965	389				16233
	2400	34620	518				21643
	3000	43275	648				27054
RGBW	900	system - N/A	54	33	N/A (entire system) 80 (white only)	3000K 4000K	8116
		white only - 851	25				10822
	1200	system - N/A	72				13527
		white only - 1134	34				16233
	1500	system - N/A	90				21643
		white only - 1418	42				27054
	1800	system - N/A	109				
		white only - 1701	51				
	2400	system - N/A	145				
		white only - 2268	68				
	3000	system - N/A	181				
		white only - 2835	85				

L80 > 50,000 hours

Luminous flux +/- 5%

**Data provided is for either direct OR indirect distribution; performance values are the same for both.*

**Performance data is based on a connected-load photometric test of MED output with 80 CRI at 4000K using a DALI driver and DIFF lens. Data values for all other outputs are extrapolations.*

LENS

DIFF is a white satin, flush diffuser lens that produces smooth, even light across the lens surface.



Diffuse
DIFF

MoonBand 90

MB90 | Suspended, Surface

**LIGHT
FORMS**

INDIRECT LED LAMPING – OPTIONS & PERFORMANCE DATA*

OUTPUT OPTIONS	SIZE OPTIONS DIAMETER	DELIVERED LUMENS LM	WATTS W	EFFICACY LM/W	CRI OPTIONS	CCT OPTIONS	WEIGHT G
MIN#	900	2583	34	76	80 90	2700K 3000K 3500K 4000K 5000K 6500K	6715
	1200	3444	45				8953
	1500	4305	57				11191
	1800	5166	68				13429
	2400	6888	90				17906
	3000	8610	113				22382
LOW#	900	3705	38	98	80 90	2700K 3000K 3500K 4000K 5000K 6500K	6715
	1200	4940	50				8953
	1500	6175	63				11191
	1800	7410	76				13429
	2400	9880	101				17906
	3000	12350	126				22382
MED#	900	7218	71	102	80 90	2700K 3000K 3500K 4000K 5000K 6500K	6715
	1200	9623	94				8953
	1500	12029	118				11191
	1800	14435	141				13429
	2400	19247	188				17906
	3000	24059	236				22382
HI#	900	11920	126	95	80 90	2700K 3000K 3500K 4000K 5000K 6500K	6715
	1200	15893	168				8953
	1500	19867	210				11191
	1800	23840	252				13429
	2400	31787	336				17906
	3000	39734	420				22382

See More Indirect Lamping Options & Performance Data on Next Page...

MoonBand 90

MB90 | Suspended, Surface

**LIGHT
FORMS**

Cont'd... INDIRECT LED LAMPING – OPTIONS & PERFORMANCE DATA*

OUTPUT OPTIONS	SIZE OPTIONS DIAMETER	DELIVERED LUMENS LM	WATTS W	EFFICACY LM/W	CRI OPTIONS	CCT OPTIONS	WEIGHT G
MAX#	900	13344	194	69	80 90	2700K 3000K 3500K 4000K 5000K 6500K	6715
	1200	17792	259				8953
	1500	22241	324				11191
	1800	26689	389				13429
	2400	35585	518				17906
	3000	44481	648				22382
RGBW	900	system - N/A	54	34	N/A (entire system) 80 (white only)	3000K 4000K	6715
		white only - 873	25				8935
	1200	system - N/A	72				11191
		white only - 1164	34				13429
	1500	system - N/A	90				17906
		white only - 1455	42				22382
	1800	system - N/A	109				
		white only - 1746	51				
	2400	system - N/A	145				
		white only - 2329	68				
	3000	system - N/A	181				
		white only - 2911	85				

L80 > 50,000 hours

Luminous flux +/- 5%

**Data provided is for either direct OR indirect distribution; performance values are the same for both.*

**Performance data is based on a connected-load photometric test of MED output with 80 CRI at 4000K using a DALI driver and DIFF lens. Data values for all other outputs are extrapolations.*

LENS

DIFF is a white satin, flush diffuser lens that produces smooth, even light across the lens surface.



Diffuse
DIFF

MoonBand 90

MB90 | Suspended, Surface

**LIGHT
FORMS**

DOWNLIGHT SPOTS – OPTIONS & PERFORMANCE DATA*

OUTPUT OPTIONS	DELIVERED LUMENS LM/M	WATTS W/M	EFFICACY LM/W	CRI OPTIONS	CCT OPTIONS	BEAM DEGREE OPTIONS
MIN/S#	1101	11.6	95	80 90	2700K 3000K 4000K	15 25 40
LOW/S#	1430	15.9	90			
TUNE/S	Contact Light Forms for Options & Details					
RGB/S	Contact Light Forms for Options & Details					

L80 > 50,000 hours
Luminous flux +/- 5%

**Performance calculations are based on connected-load photometric tests with 80 CRI at 4000K and 40° beam spread.*

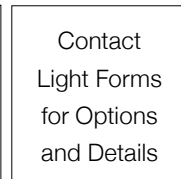
SPOTS



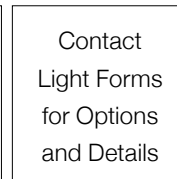
Minimum
MIN/S



Low
LOW/S



Tunable White
TUNE/S



RGB
RGB/S

Contact
Light Forms
for Options
and Details

Contact
Light Forms
for Options
and Details

MoonBand 90

MB90 | Suspended, Surface

**LIGHT
FORMS**

SPECIFICATION DETAILS

HOUSING

100% recyclable, extruded architectural grade aluminium with minimum 2mm thickness.

WEIGHT

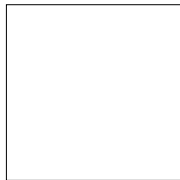
Approximately 8116-27054 grams per unit. Weight may vary depending on mounting and other options.

FINISH OPTIONS

Silver, White, Black, Bronze or custom RAL powdercoat. Contact Light Forms for other finish options (Interpon, Farrow & Ball, and silver and gold plating).



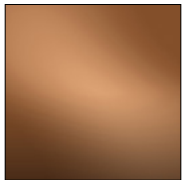
Silver
SV



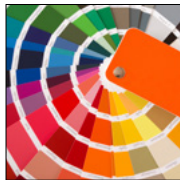
White
WH



Black
BLK



Bronze
BZ



Custom RAL
RAL

View all RAL colour options at: <https://lightforms.com/RAL>

INTEGRAL SENSORS

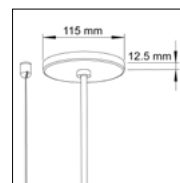
Optional, presence (PRES), DALI-compatible PIR presence (DALI/PRES) and daylight harvesting (PHOTO) sensors available. Contact Light Forms for further information.

OPERATING TEMPERATURE

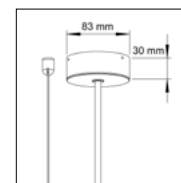
Luminaire MUST be installed and operated ONLY in dry or damp environments where the ambient temperature ranges from -20°C to 50°C. Luminaire operation in environments outside this temperature range voids the warranty AND may damage the product or adversely impact lamp life, lumen output and colour consistency.

SUSPENSION MOUNT CANOPY OPTIONS

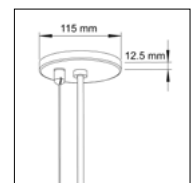
STD comprises separate 115 mm powerfeed canopy and cable bullet at powerfeed locations. SMALL comprises separate 85 mm powerfeed canopy and cable bullet at powerfeed locations. COMBO comprises combined 115mm canopy (canopy and cable bullet) at powerfeed locations. These three options include cable bullets for non-powerfeed locations. CCSTD is one standard centralised canopy for powerfeed and all cable attachments. CCLG is one large centralised canopy for powerfeed and all cable attachments.



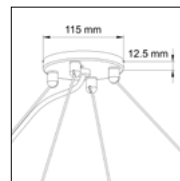
Standard
STD



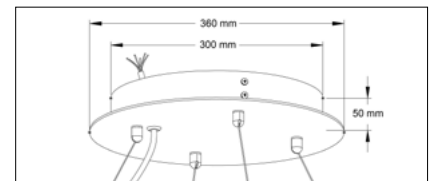
Small
SMALL



Combo
COMBO



Central Combo
Standard
CCSTD



Central Combo
Large
CCLG

WARRANTY

5-year limited warranty. Details: lightforms.com/warranty

MANUFACTURING & CERTIFICATION

Products are manufactured in and comply with the health, safety and environmental protection standards of the respective region in which they are sold.



Europe



Asia



Greater India
+ Middle East