

ValueDown – VD

LED – 84 mm diameter

FEATURES

Direct Distribution

Up to 1510 LM
and 100 LM/W

Two Standard
Output Options

Tunable White
and RGB+W Options

15°, 25° and 40°
Beam Spreads

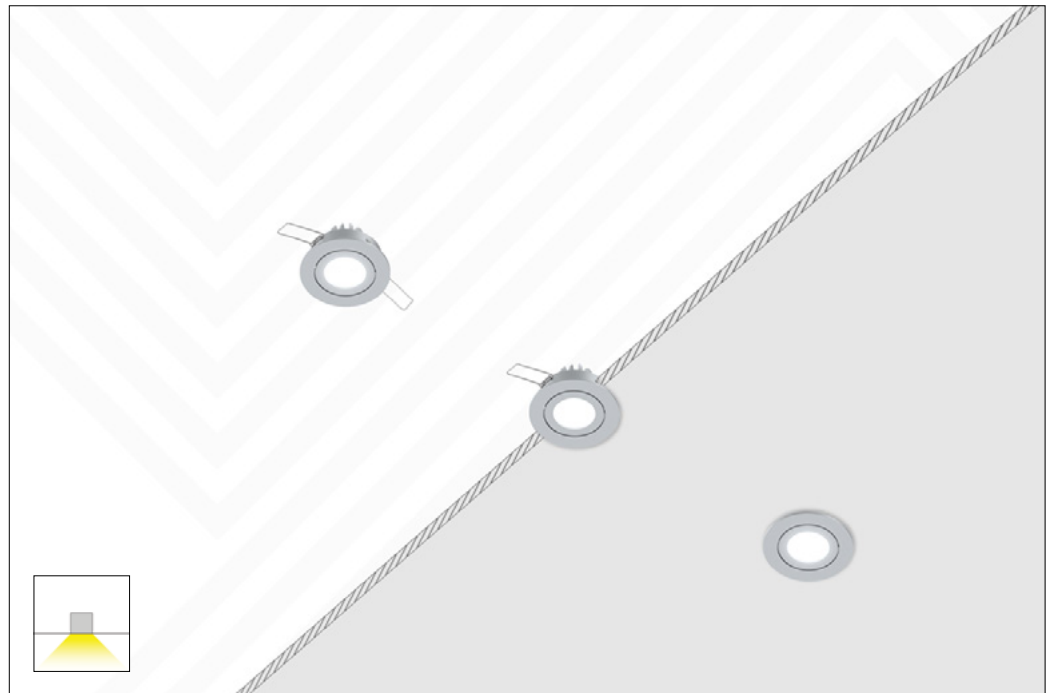
Remote DALI, DMX,
10V or Phase Driver

Dimming Down to 0%

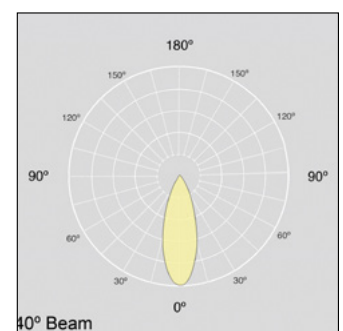
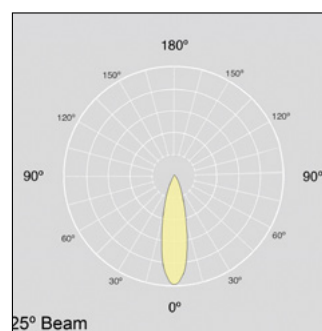
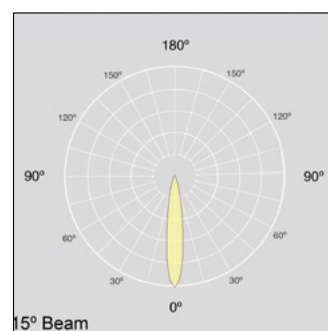
Remote Sensor
Options

Aluminium, White,
Black, Bronze or
Custom RAL Finish

RECESSED



DISTRIBUTION



OSRAM

LED Drivers &
Light Engines
Included

*Exceptions
may apply.
Enquire for
more details.*

INSTRUCTIONS

Digital users: Check selection boxes and fill in fields directly in fillable, interactive PDF, save file, submit to Light Forms.

Manual users: Check selection boxes and fill in fields with pen, scan and save ALL pages as PDF document, submit to Light Forms.

1. BASE MODEL / MOUNTING Select ONE

VD Recessed Downlight

2. SPOT OPTIONS Select ONE from EVERY category to the right

BEAM DEGREE	OUTPUT	CRI	CCT
15 15° spread	MIN/S	80	2700K
25 25° spread	LOW/S	90	3000K
40 40° spread	TUNE/S# RGB/S#		4000K

#For TUNE/S and RGB/S, CRI and CCT do not apply (leave unchecked)

3. REMOTE DRIVER* Select ONE

NONDIM Non-dimming
DALI# DALI driver, dimming down to 1%
1/10V 1-10V, dimming down to 1%
0/10V 0-10V, dimming down to 0%
DMX^ DMX driver, dimming down to 1%
PHASE For use with phase-cut triac, IGBT or sine wave dimmer switches

#DALI is required for use with TUNE/S; DALI (or DMX) is required for RGB/S

^DMX (or DALI) is required for use with RGB/S

4. FINISH* Select ONE

AL Anodised aluminium (standard)
WH White powdercoat
BLK Black powdercoat
BZ Metallic bronze powdercoat
RAL/ _ _ _ _ Custom RAL# colour powdercoat, ex: RAL/3000

*Contact factory for additional finish options including Interpon, Farrow & Ball and silver and gold plating

#See RAL colour options and codes at lightforms.com/RAL

9. OPTIONAL ADD-ONS Select as many as apply

A. EMERGENCY

EM	Remote, 3-hour emergency battery, manual testing
EM/DALI	Remote, 3-hour emergency battery with DALI interface, automatic testing
EC	Emergency circuit

B. SENSOR

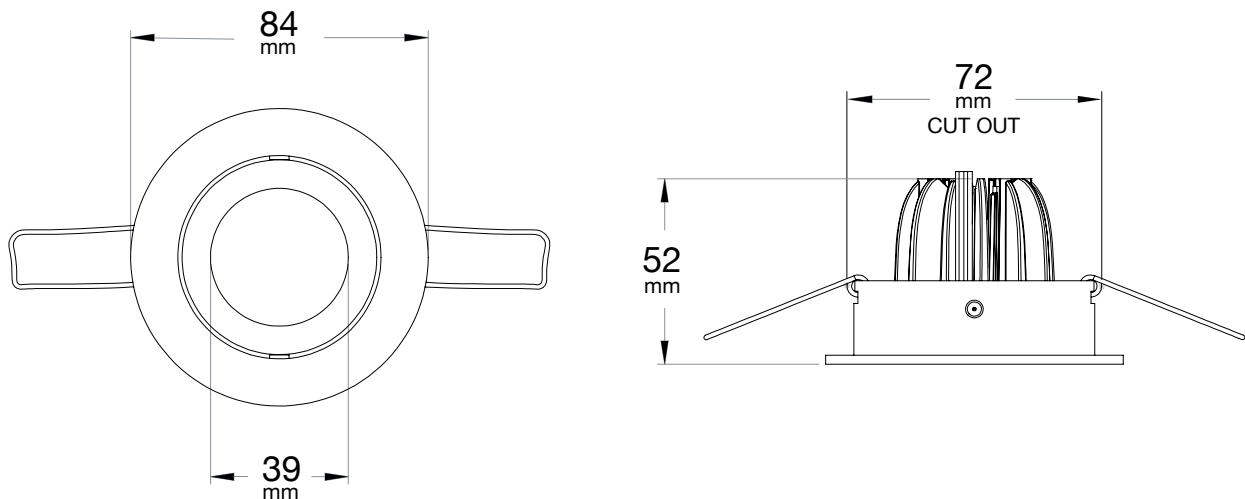
PRES	Remote, PIR presence detector
DALI/PRES	Remote, DALI-compatible PIR presence detector
PHOTO	Remote, photocell/daylight detector

C. WIRELESS CONTROL

OLP*	Remote, Osram Lightify Pro wireless control module
------	--

**Must choose DALI option in DRIVER section.*

DIMENSIONS



DOWNLIGHT SPOT OPTIONS & PERFORMANCE DATA

OUTPUT OPTIONS	BEAM DEGREE OPTIONS	DELIVERED LUMENS LM	WATTS W	EFFICACY LM/W	CRI OPTIONS	CCT OPTIONS	WEIGHT G
MIN/S#	15	802	11.6	69	80 90	2700K 3000K 4000K	170
	25	1163		100			
	40	1101		95			
LOW/S#	15	1120	15.9	70			
	25	1510		95			
	40	1430		90			
TUNE/S		Contact Light Forms for Options & Details					
RGB/S		Contact Light Forms for Options & Details					

L80 > 50,000 hours
Luminous flux +/- 5%

**Performance calculations are based on connected load, photometric tests with 80 CRI at 4000K and 40° beam spread.*

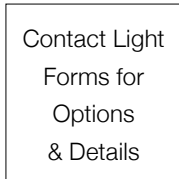
SPOTS (applicable to all sizes as detailed here and on pages 7 and 8)



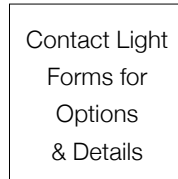
Minimum
MIN/S



Low
LOW/S



Tunable White
TUNE/S



RGB
RGB/S

SPECIFICATION DETAILS

HOUSING

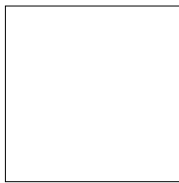
100% recyclable, extruded architectural grade aluminium with minimum 2mm thickness.

FINISH OPTIONS

Standard finish is "Ultimate" aluminium - a smooth, clean and durable finish achieved from a deep etch, two-step clear anodising process. White, Black, Bronze or custom RAL powdercoat options are also specifiable. Contact Light Forms for other finish options (Interpon, Farrow & Ball, and silver and gold plating).



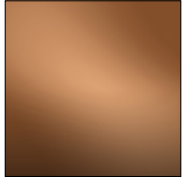
Aluminium
AL



White
WH



Black
BLK



Bronze
BZ



Custom RAL
RAL

View all RAL
colour options at:
<https://lightforms.com/RAL>

REMOTE SENSORS

Optional, presence (PRES), DALI-compatible PIR presence (DALI/PRES) and daylight harvesting (PHOTO) sensors available. Contact Light Forms for further information.

WEIGHT

Approximately 170 grams per unit. Weight may vary depending on mounting and other options.

OPERATING TEMPERATURE

Luminaire **MUST** be installed and operated **ONLY** in dry or damp environments where the ambient temperature ranges from -20°C to 50°C. Luminaire operation in environments outside this temperature range voids the warranty **AND** may damage the product or adversely impact lamp life, lumen output and colour consistency.

WARRANTY

5-year limited warranty. Details: lightforms.com/warranty

MANUFACTURING & CERTIFICATION

Products are manufactured in and comply with the health, safety and environmental protection standards of the respective region in which they are sold as indicated below.



Europe



Asia



Greater India
+ Middle East

PHOTOS

