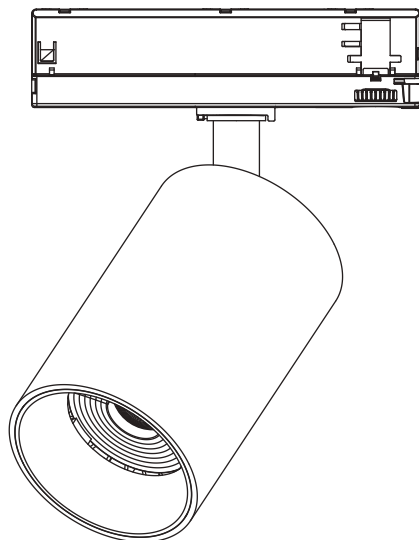


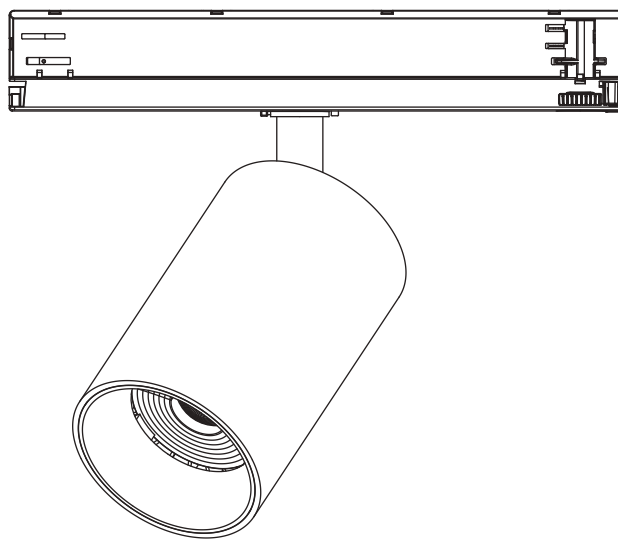
Nova Large 91 Trackspot

Installation / Maintenance Instructions

LIGHT FORMS



Non DALI
In-track driver



DALI
In-track driver

NOV91-TS

Precautions and Warnings

- Read all instructions carefully, the safety of this product is only guaranteed if the instructions are followed, retain these instructions for future use.
- Turn off the power supplier before installation and maintenance.
- Installation must be carried out by a trained professional in accordance with all National electricals' codes and regulations.
- To avoid the risk of fire and overheating, make sure all connection, including those made by others, are correct and secure.
- Do not pinch or apply excessive tension on the electrical wires. Damage due to improper handling and installation will void the warranty.
- If any there is any damage to the product or the cable, the product must be returned to the retailer or manufacturer.



Luminaire Details

Power Supply:	230V AC 50Hz
IP Rating:	IP20
Class:	⊕
Ta Max:	45°C

Fixing Method:	Track adaptor
Diameter:	91mm
Length:	145mm

Light Forms
UK Head Office

LightForms.com

8 Richfield Avenue
Reading
RG1 5EQ

T +44 (0)20 8571 3785
E London@
LightForms.com

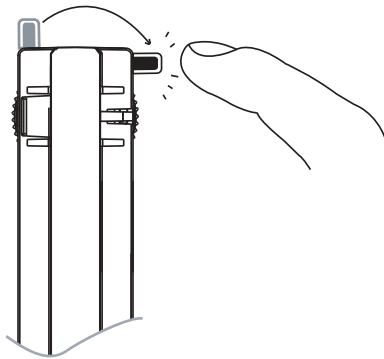
Nova Large 91 Trackspot

Installation / Maintenance Instructions

LIGHT FORMS

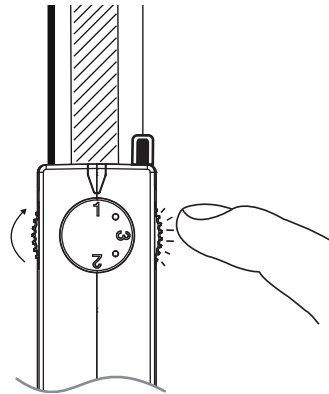
1

Release locking tab.



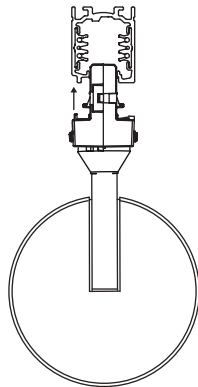
4

Select the electrical circuit



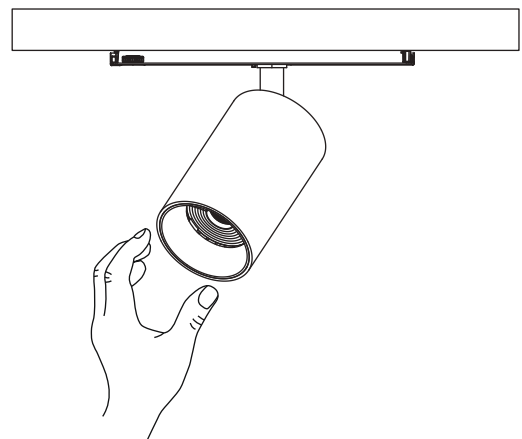
2

Insert into track. Note the orientation and guide pins.



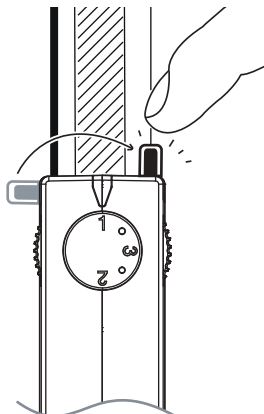
5

Adjust.



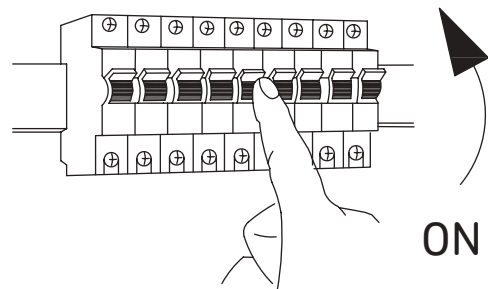
3

Lock the fixture to the track.



6

Turn on power.



Light Forms
UK Head Office

LightForms.com

8 Richfield Avenue
Reading
RG1 5EQ

T +44 (0)20 8571 3785
E London@
LightForms.com