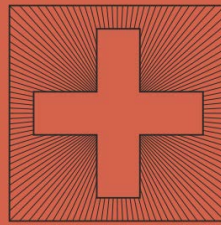


EM Exit Suspended

EM-00007

315mm x 151mm x 45mm



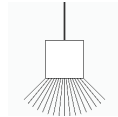
LIGHT FORMS

Emergency

Specification



Suspended



Features

Available in black and white.

Main body is polycarbonate.

Clear acrylic LGP.

PET pictogram.

Mounting options include Ceiling Surface mounted, Ceiling Recessed, Suspended, Wall mounted and Track Mounted.

Up, Down and Left/Right pictogram options.

30m visibility.

Class II

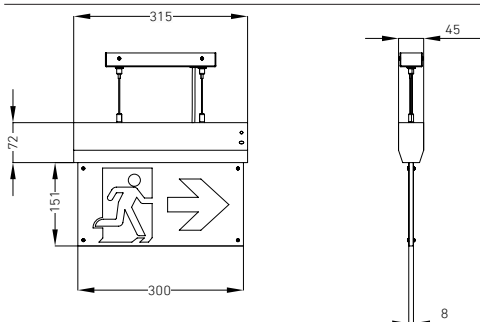
CCT - 5000K

CRI - >70

LiFePO4 6.4V 600mAh battery.

0°C to 45°C operating temperatures.

Dimensions



Photometry and additional documentation at:
LightForms.com/products/emergency/EM-Exit-Suspended/

LightForms.com

Page 1

Europe@
LightForms.com

Asia@
LightForms.com

Manchester@
LightForms.com

EM Exit Suspended

LIGHT FORMS

EM-00007

E M - 0 0 0 0 7 - - - - 0 1 - 7 5 0 - - - - -

1. Finish Options

White - WH
Black - BK

2. Nominal Power Options

1W - 01

3. Chip Options

70CRI 5000K - 750

4. Pictogram Options

Left and Right - LR
Up Arrow - UP
Down Arrow - DN

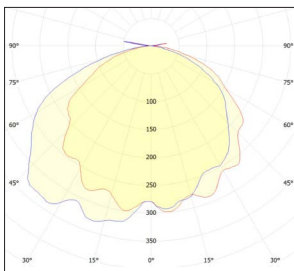
5. Testing Options

Auto Test - AUT
DALI - DAL

Electrical Specification

| | |
|--------------------------|-------------|
| Input Power (MAX) | 3W |
| Frequency | 50/60Hz |
| Input Voltage | 200-240V |
| Discharge Efficiency | ≥70% |
| Output Power | 1.8W ± 0.3W |
| Power Factor | ≥0.3% |
| Rated Input Current | ≥0.03A |
| Full Load Output Voltage | DC 2.8-3.2V |
| Output Current Range | 580mA ±10% |
| Surge | 0.5KV |
| Withstand voltage | AC3750V |
| Short Circuit Protection | Pass |
| Over voltage protection | Pass |

Distribution



120°

Operating temperature

Ta Max 45°C

Warranty

5-year fixture warranty.
3-year battery warranty.

Manufacturing & certification

Products are manufactured in and comply with the health, safety and environmental protection standards of the respective region in which they are sold.



Europe



United Kingdom



Greater India and Middle East