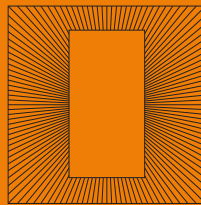


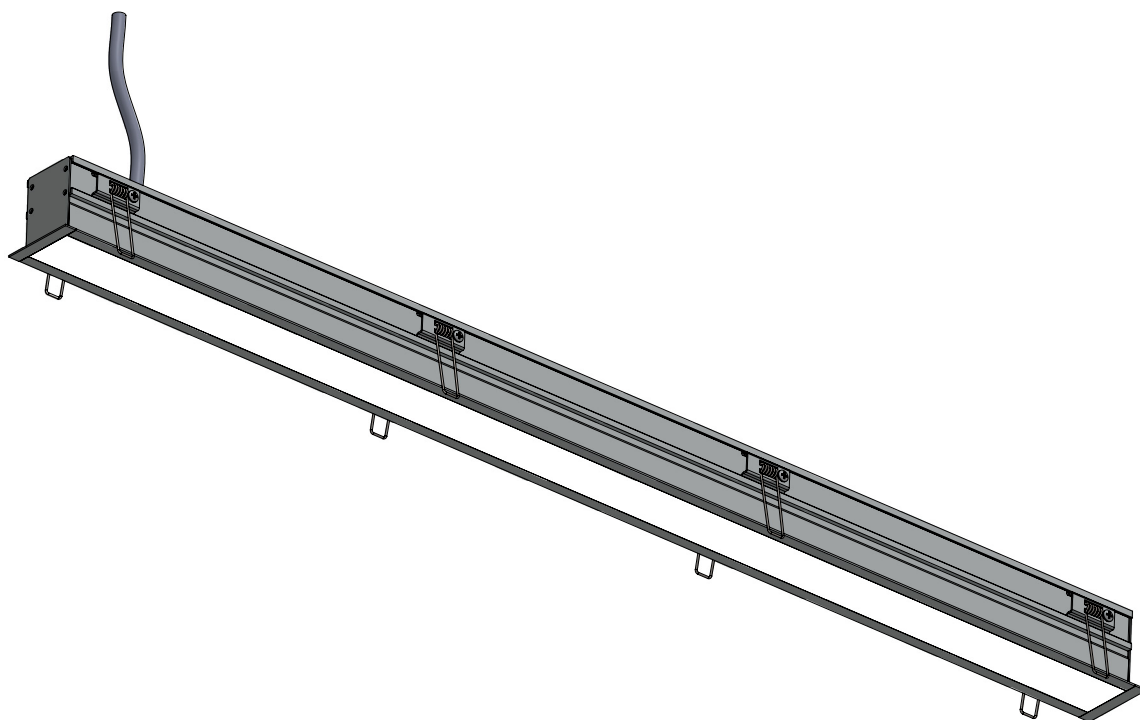
Five Bow

Installation Instructions



LIGHT FORMS

Linear



Ceiling Recessed

Safety & Warning!

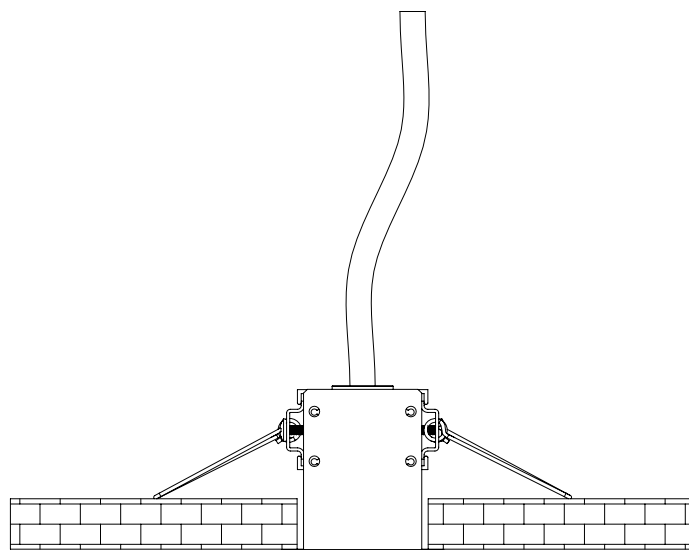
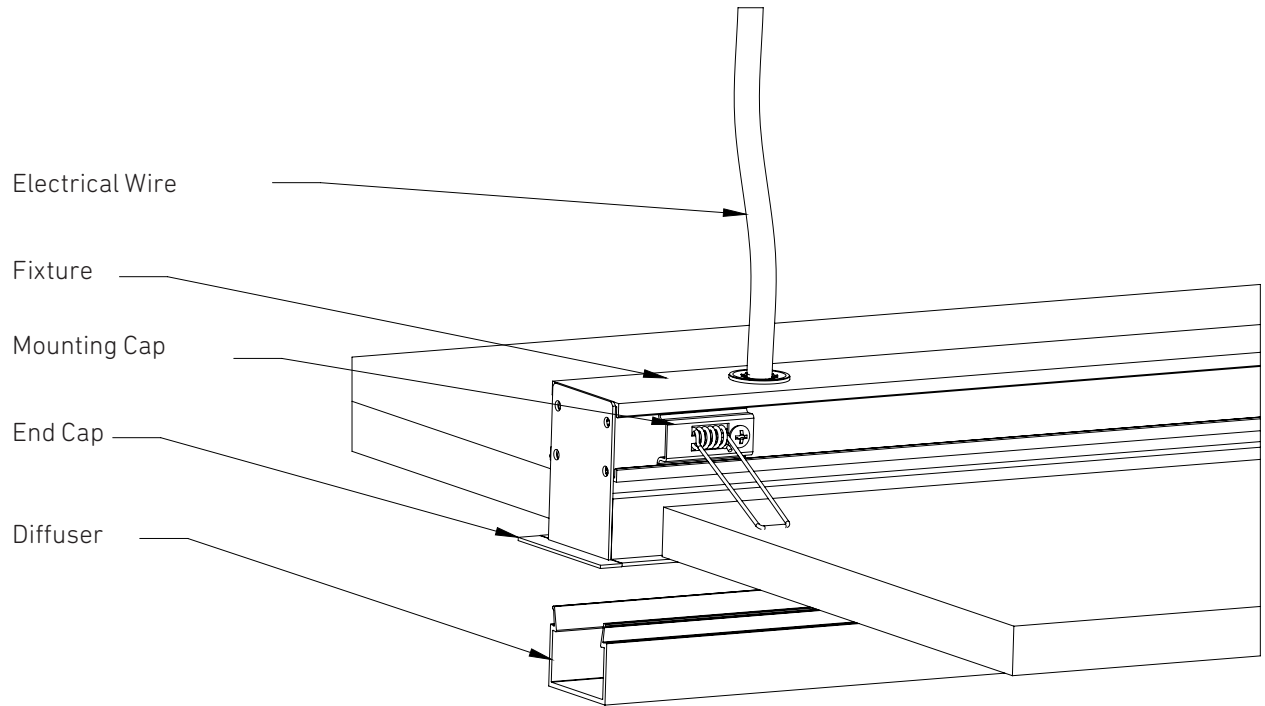
1. Read all instructions carefully.
2. All the installation must be completed by a qualified electrician.
3. Install in accordance with national and local electrical code regulations.
4. Turn off electrical power before installing or servicing fixture in any way.
5. Install only at dry areas.
6. To reduce the risk of fire and overheating, make sure all connections to be done properly.

Five Bow

LIGHT FORMS

Installation Instructions

Luminaire Overview



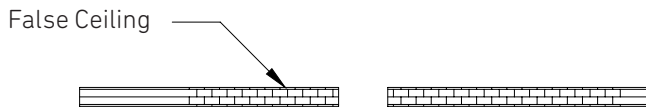
Five Bow

LIGHT FORMS

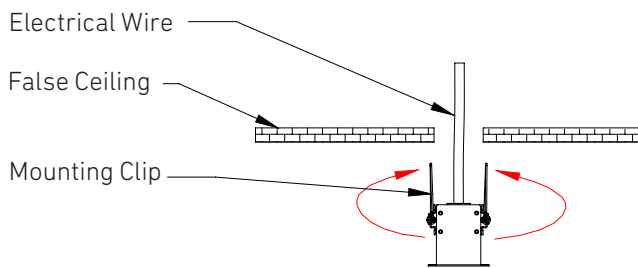
Installation Instructions

1. Turn off the main electrical supply from the fuse box before proceeding the installation process.

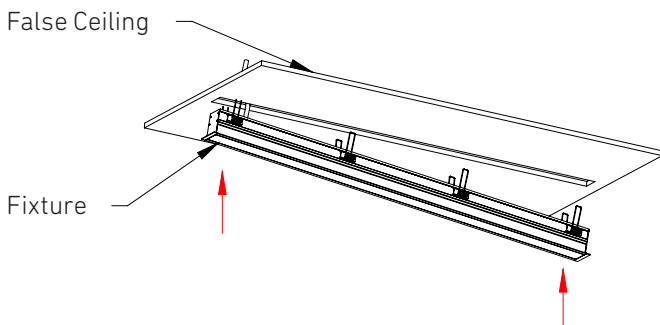
2. Make cutout in the false ceiling as per given cut dimension in drawing.



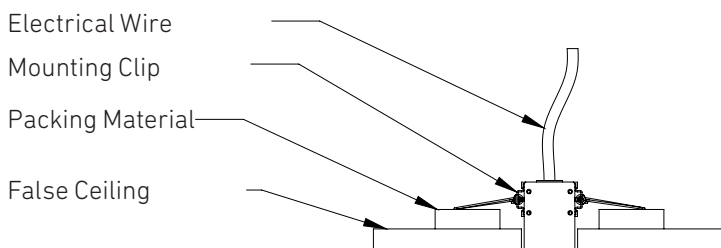
3(A). Make all the necessary electrical connections.
3(B). Rotate the mounting clip in the upward direction.



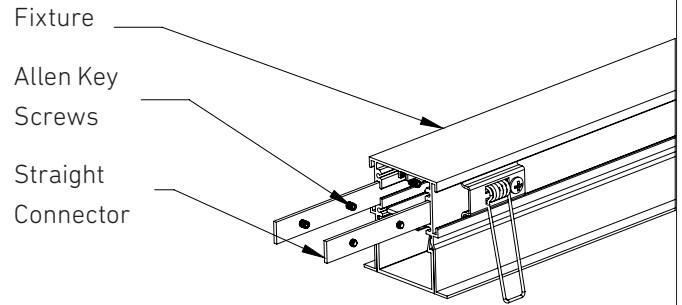
4. Raise the fixture to cutout and push the fixture in the false ceiling.



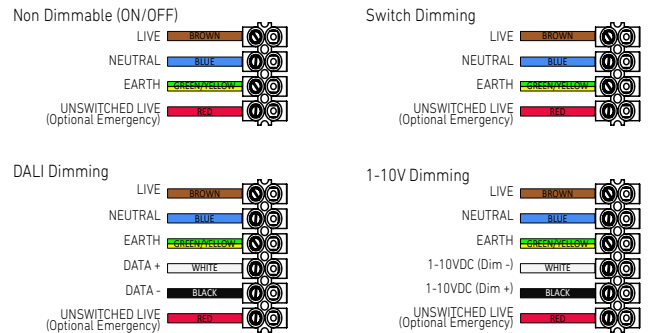
5. Use packing material if the fixture remain loose in rge false ceiling.



6. For joining multiple sections, use connectors and allen key screws as per the arrangement provided.



7. Wiring Diagram (non-dim and dim).



8. Turn on power.