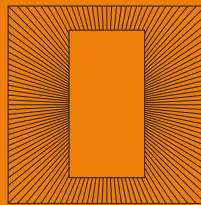


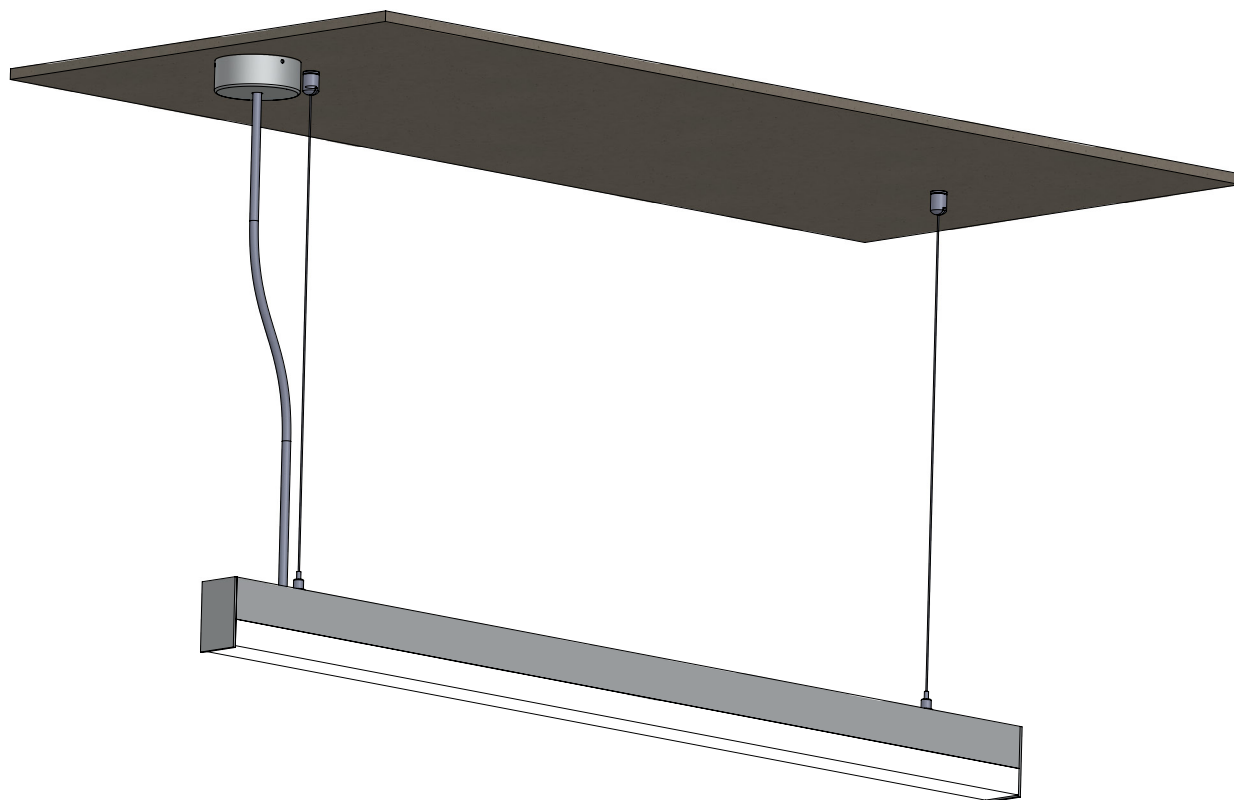
# Five Bow

Installation Instructions



LIGHT FORMS

Linear



Ceiling Suspended

## Safety & Warning!

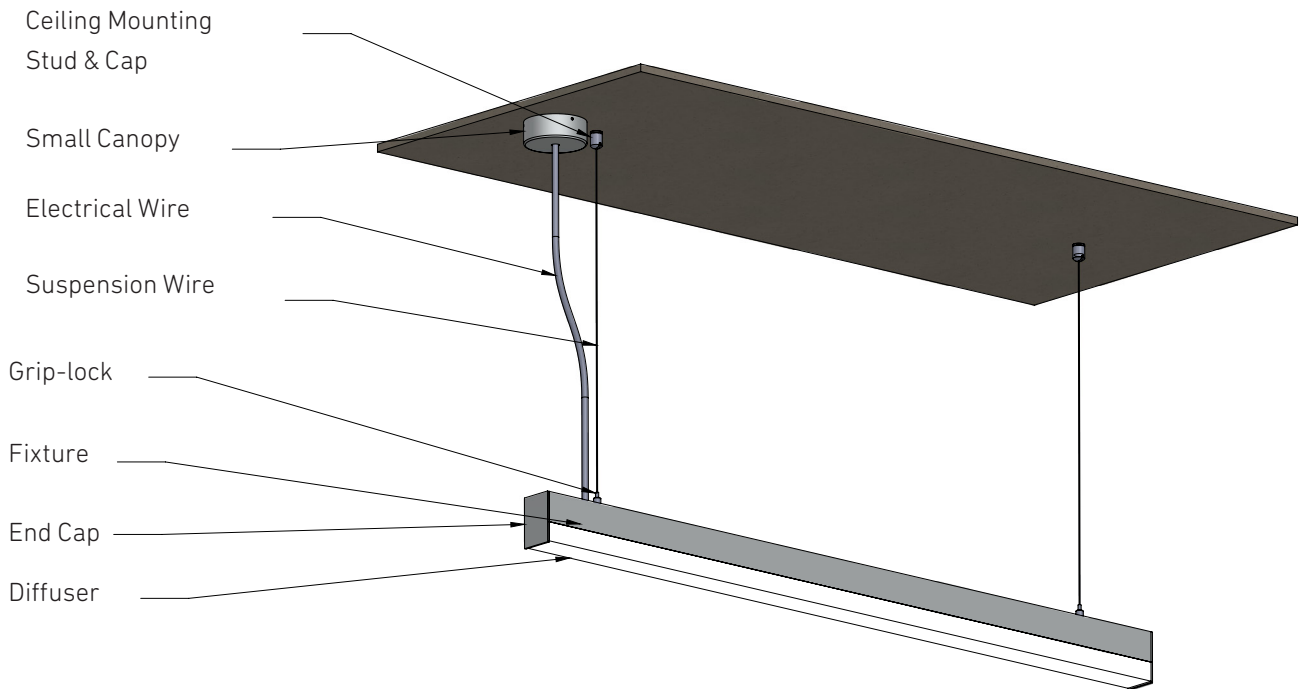
1. Read all instructions carefully.
2. All the installation must be completed by a qualified electrician.
3. Install in accordance with national and local electrical code regulations.
4. Turn off electrical power before installing or servicing fixture in any way.
5. Install only at dry areas.
6. To reduce the risk of fire and overheating, make sure all connections to be done properly.

# Five Bow

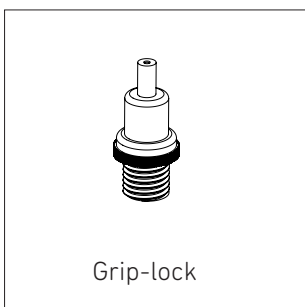
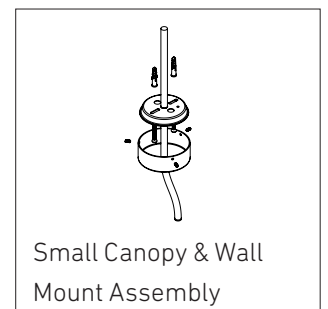
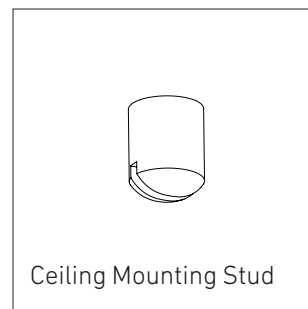
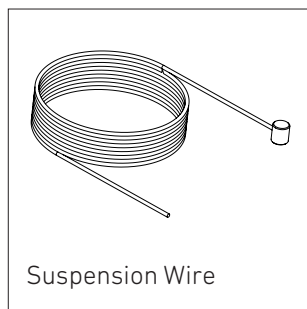
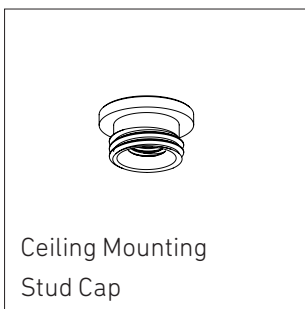
LIGHT FORMS

## Installation Instructions

### Luminaire Overview



### Standard Components for Suspension



# Five Bow

# LIGHT FORMS

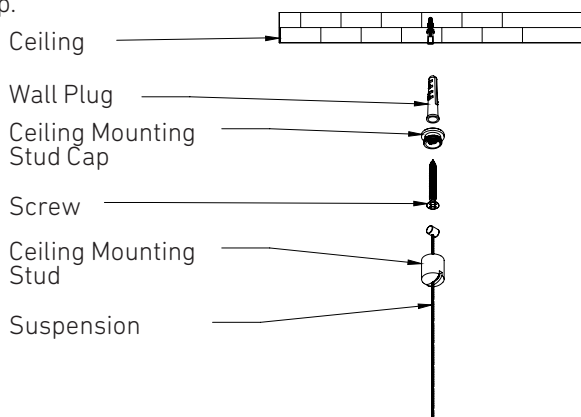
## Installation Instructions

1. Turn off the main electrical supply from the fuse box before proceeding the installation process.

2(A). Mark & Drill the location of grip-locks where fixture is to be installed on the ceiling.

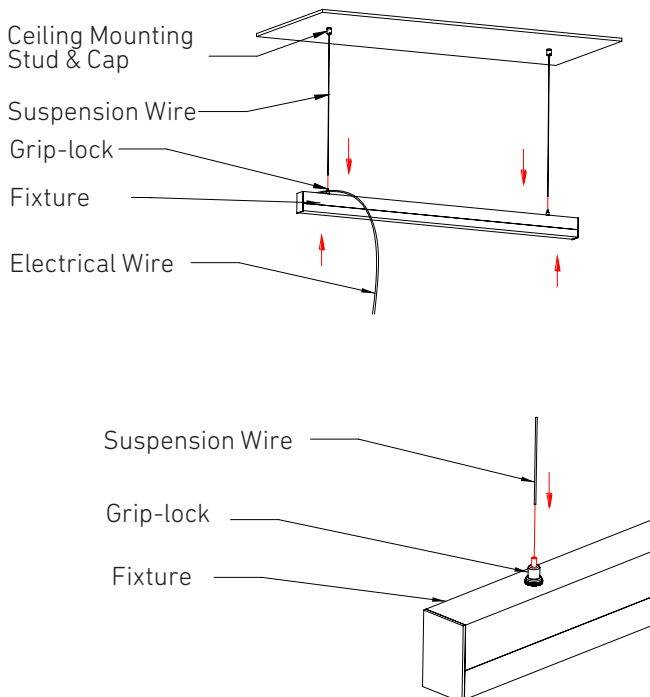
2(B). Install ceiling mounting stud cap with screw on the ceiling.

2(C). Route suspension wire through the ceiling mounting stud & screw ceiling mounting stud with ceiling mounting stud cap.



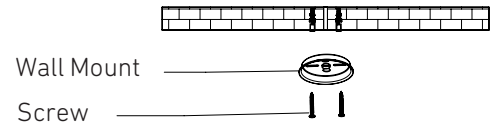
3(A). Raise fixture to suspension wires & attach fixture by inserting suspension wire through grip-lock,

3(B). Adjust fixture until it is level at desired height & cut excess suspension wire.



4(A). Mark & drill the location for wall mount & electrical wire coming from fixture on ceiling.

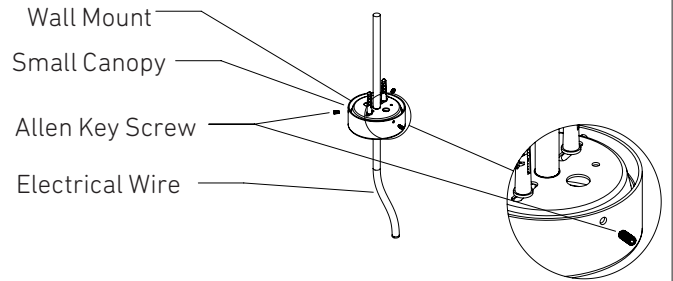
4(B) Install the wall mount on the ceiling with screws.



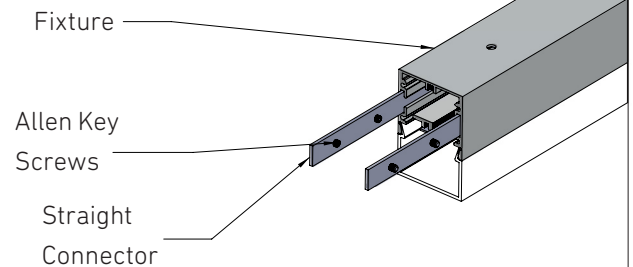
5(A). Route electrical wire through small canopy & wall mount.

5(B). Make all the necessary electrical connections.

5(C). Install small canopy with wall mount using allen key screws.



6. For joining multiple sections, use connectors and allen key screws as per the arrangement provided.

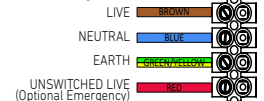


7. Wiring Diagram (non-dim and dim).

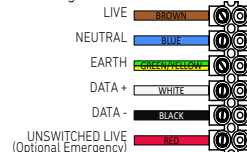
Non Dimmable (ON/OFF)



Switch Dimming



DALI Dimming



1-10V Dimming



8. Turn on power.