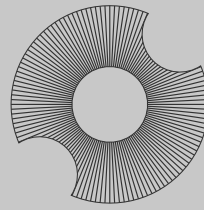


# Leo

Installation Instructions



LIGHT FORMS

Spot



## Safety & Warning!

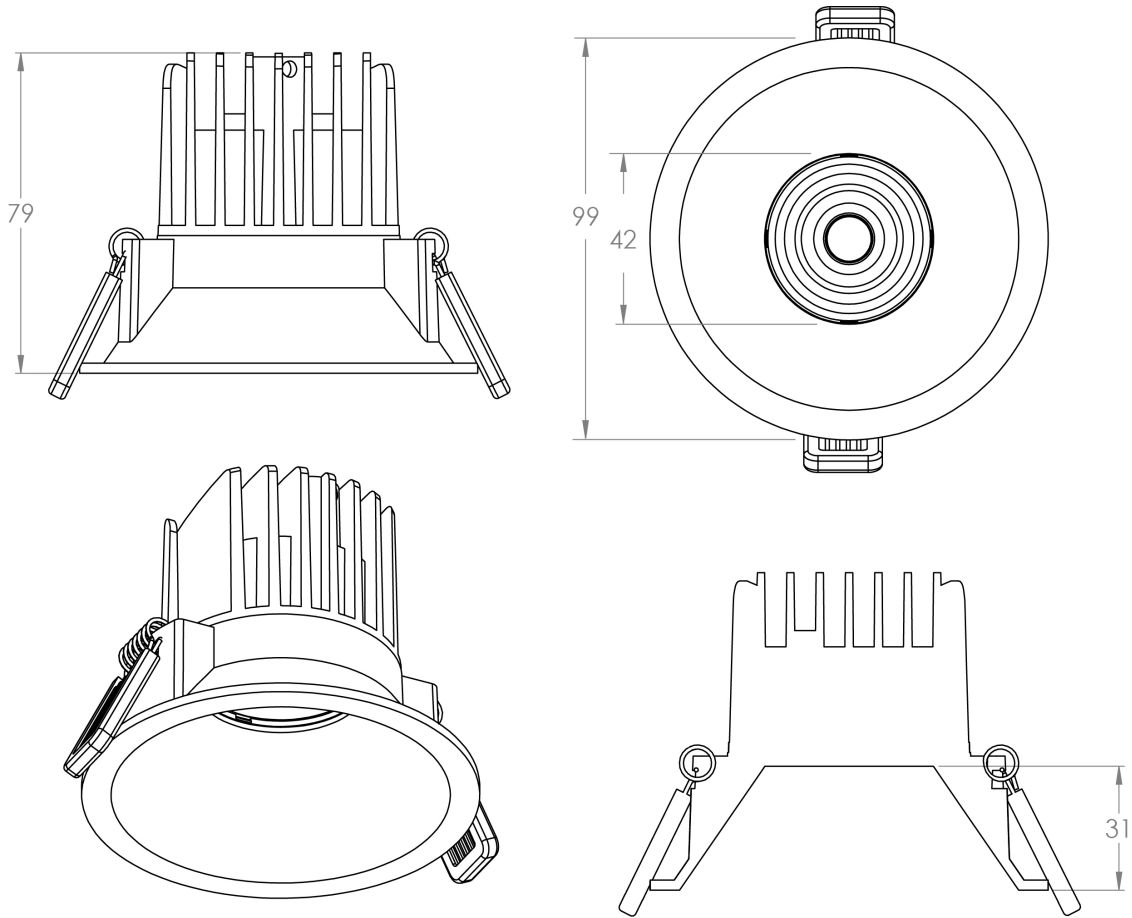
1. Read all instructions carefully.
2. All the installation must be completed by a qualified electrician.
3. Install in accordance with national and local electrical code regulations.
4. Turn off electrical power before installing or servicing fixture in any way.
5. Install only at dry areas.
6. To reduce the risk of fire and overheating, make sure all connections to be done properly.

# Leo

Installation Instructions

LIGHT FORMS

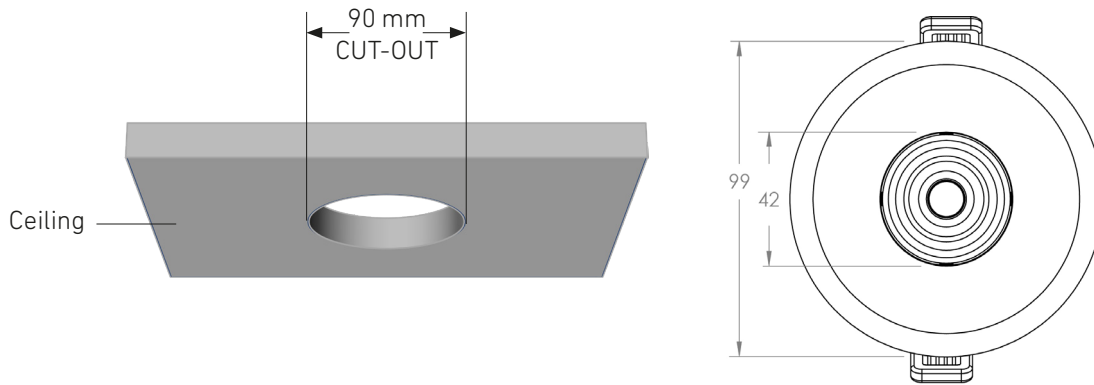
## Luminaire Overview



## Installation Instructions

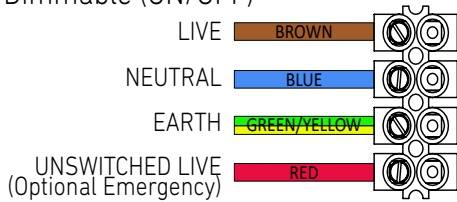
1. Turn off the main electrical supply from the fuse box before proceeding the installation process.

1. Make cut out in the ceiling as per the dimensions noted below.



3. Wiring Diagram (non-dim and dim).

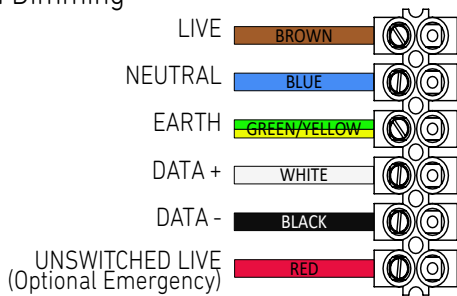
### Non Dimmable (ON/OFF)



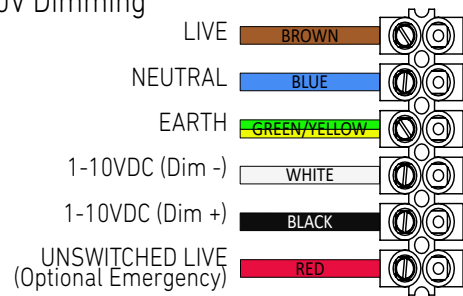
### Switch Dimming



### DALI Dimming



### 1-10V Dimming



4. Turn on power.