

### Precautions and Warnings

- Read all instructions carefully, the safety of this product is only guaranteed if the instructions are followed, retain these instructions for future use.
- Turn off the power supply before installation and maintenance.
- Installation must be carried out by a trained professional in accordance with all national electrical codes and regulations.
- To avoid the risk of fire and overheating, make sure all connections, including those made by others, are correct and secure.
- Do not pinch or apply excessive tension on the electrical wires. Damage due to improper handling and installation will void the warranty.
- If any there is any damage to the product or the cable, the product must be returned to the retailer or manufacturer.

### Luminaire Details

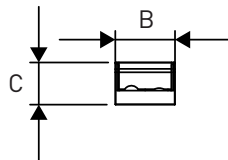
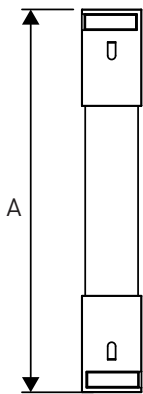
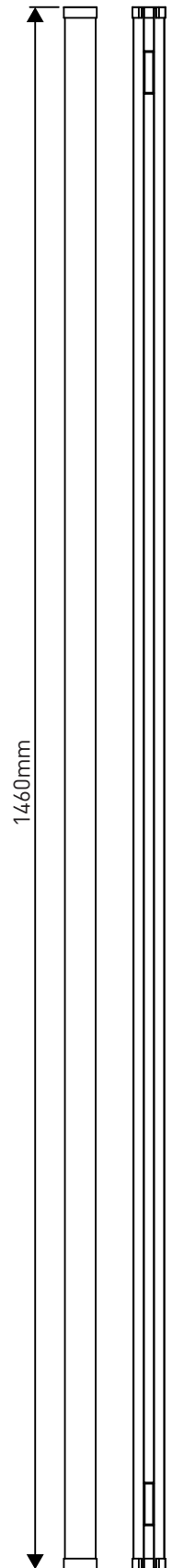
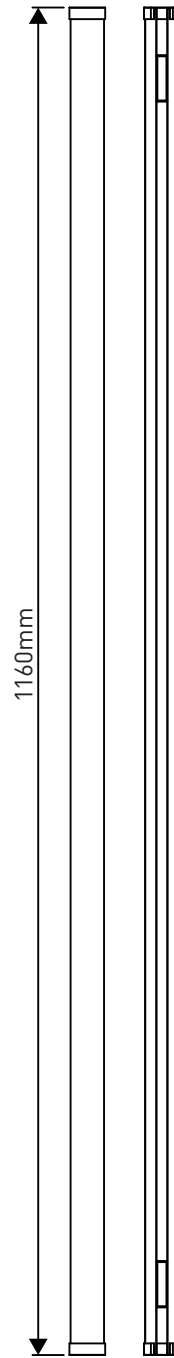
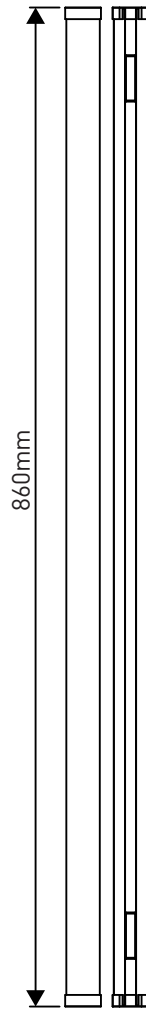
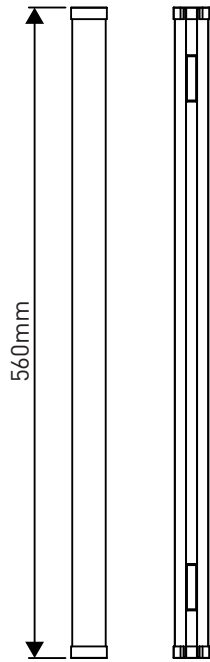
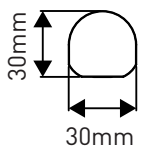
Power Supply:	230V AC 50Hz
IP Rating:	IP40
Class:	⊕
Ta Max:	45°C

Fixing Method:	Magnet, Screw in clips.
----------------	-------------------------

# LMP2 Magnetic Retrofit Lamp

## Installation / Maintenance Instructions

**LIGHT FORMS**



### Driver Dimensions

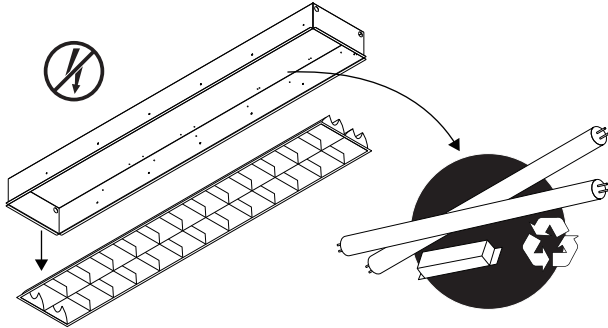
Length	Control	A	B	C
600	Non-DALI	247	34	24
600	DALI	247	34	24
900	Non-DALI	247	34	24
900	DALI	247	34	24
1200	Non-DALI	247	34	24
1200	DALI	395	34	24
1500	Non-DALI	317	34	24
1500	DALI	395	34	24

# LMP2 Magnetic Retrofit Lamp

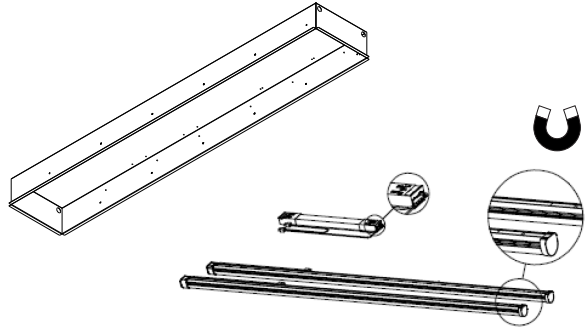
## Installation / Maintenance Instructions

**LIGHT FORMS**

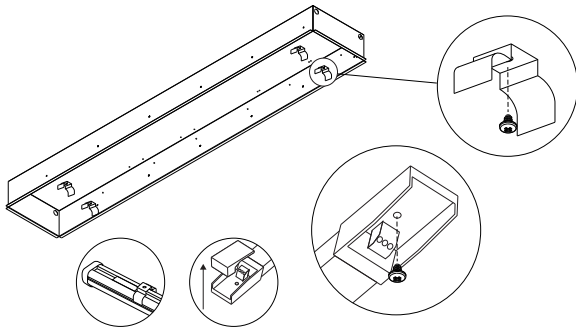
**1** Remove louvres/diffuser and keep.



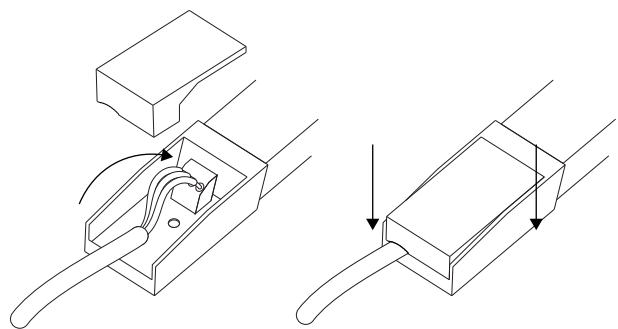
**2a** fix driver and LED tubes to housing directly with integrated magnets.



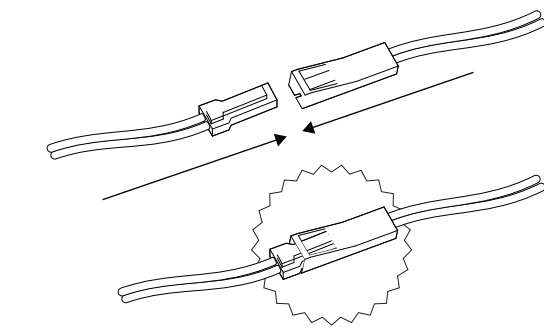
**2b** Alternatively, fix to housing using screws & clips.



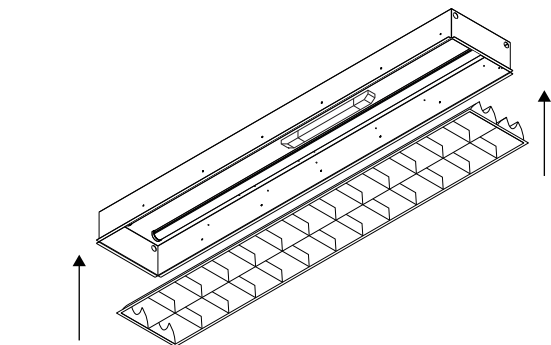
**3** Wire mains feed into driver.



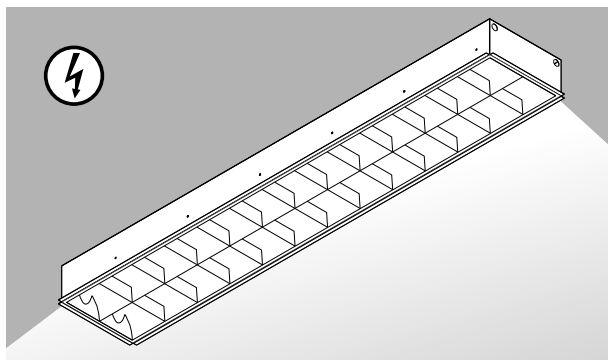
**4** Connect driver to LED tubes.



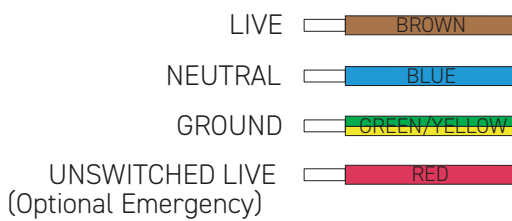
**6** Replace louvres/diffuser.



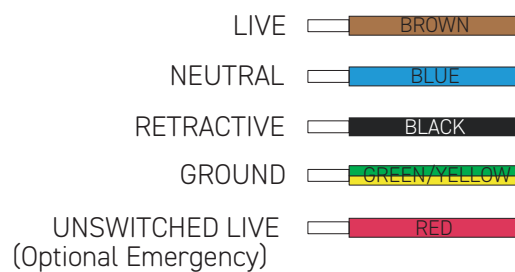
**7** Reinstall and energise the system.



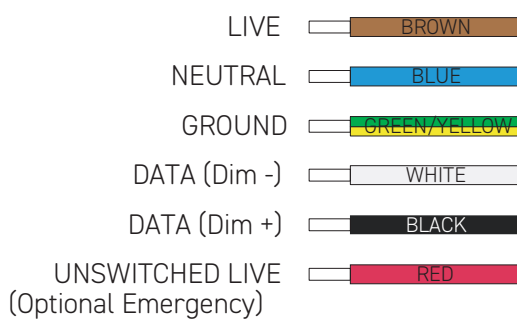
### Non Dimmable (ON/OFF)



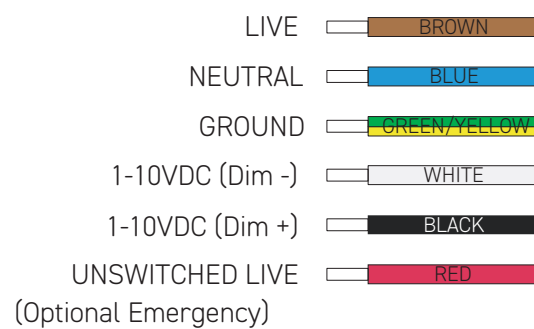
### Switch Dimming



### DALI Dimming



### 1-10V Dimming



### DMX Dimming

