

### NOV50-FL-TS

#### Precautions and Warnings

- Read all instructions carefully, the safety of this product is only guaranteed if the instructions are followed, retain these instructions for future use.
- Turn off the power supplier before installation and maintenance.
- Installation must be carried out by a trained professional in accordance with all National electricals' codes and regulations.
- To avoid the risk of fire and overheating, make sure all connection, including those made by others, are correct and secure.
- Do not pinch or apply excessive tension on the electrical wires. Damage due to improper handling and installation will void the warranty.
- If any there is any damage to the product or the cable, the product must be returned to the retailer or manufacturer.



#### Luminaire Details

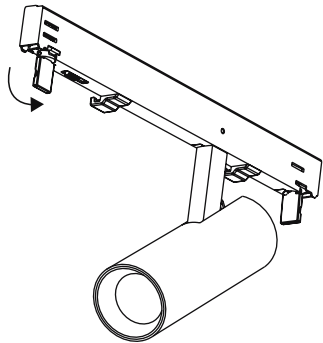
Power Supply:	230V AC 50Hz
IP Rating:	IP20
Class:	⊕
Ta Max:	45°C

Fixing Method:	Track adaptor
Diameter:	50mm
Length:	148mm

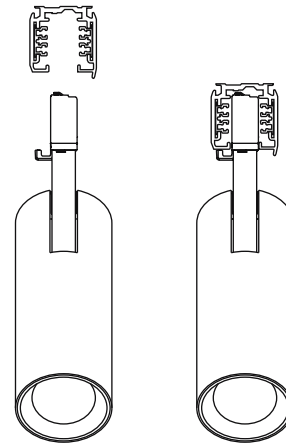
# Nova Small 50 Flush Trackspot Installation / Maintenance Instructions

**LIGHT FORMS**

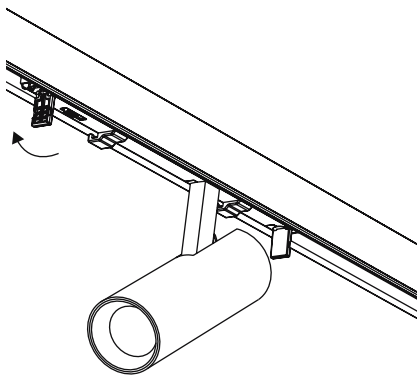
**1** Release locking tabs.



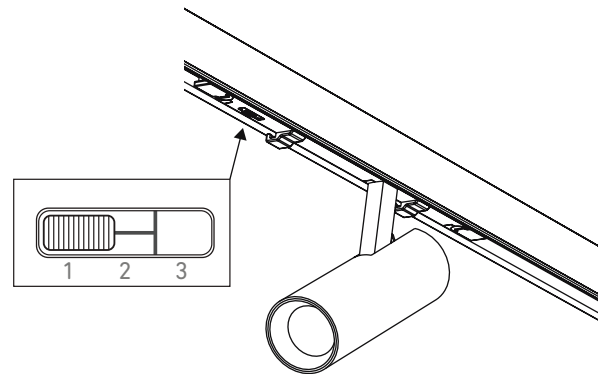
**2** Insert into track. Note the orientation.



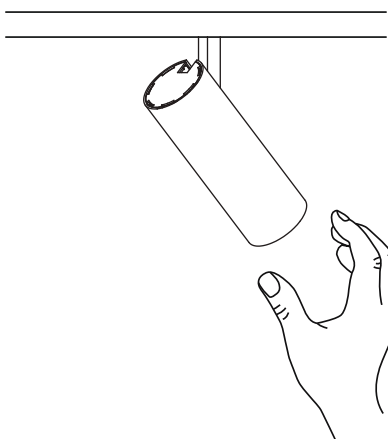
**3** Rotate and secure locking tabs.



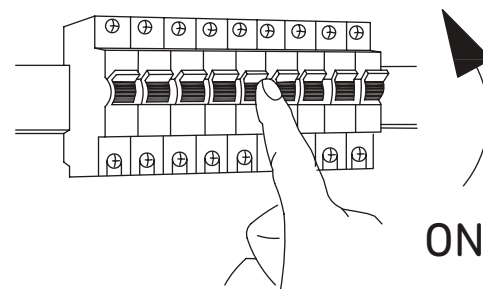
**4** Select the electrical circuit



**5** Adjust.



**6** Turn on power.



LightForms.com

Europe@  
LightForms.com

Asia@  
LightForms.com

Manchester@  
LightForms.com