

WetPlane 40 – WP40

LED – 38 mm x 52 mm

FEATURES

IP-65 Rated for Use in Wet Locations

Individual Fixtures up to 5 metres in Length

Direct Distribution

Up to 1961 LM/M and 78 LM/W

Three Standard Output Options

Tunable White and RGB+W Options

Integral DALI, DMX, 10V or Phase Driver

Dimming Down to 0%

Remote Sensor Options

Aluminium, White, Black, Bronze or Custom RAL Finish

OSRAM

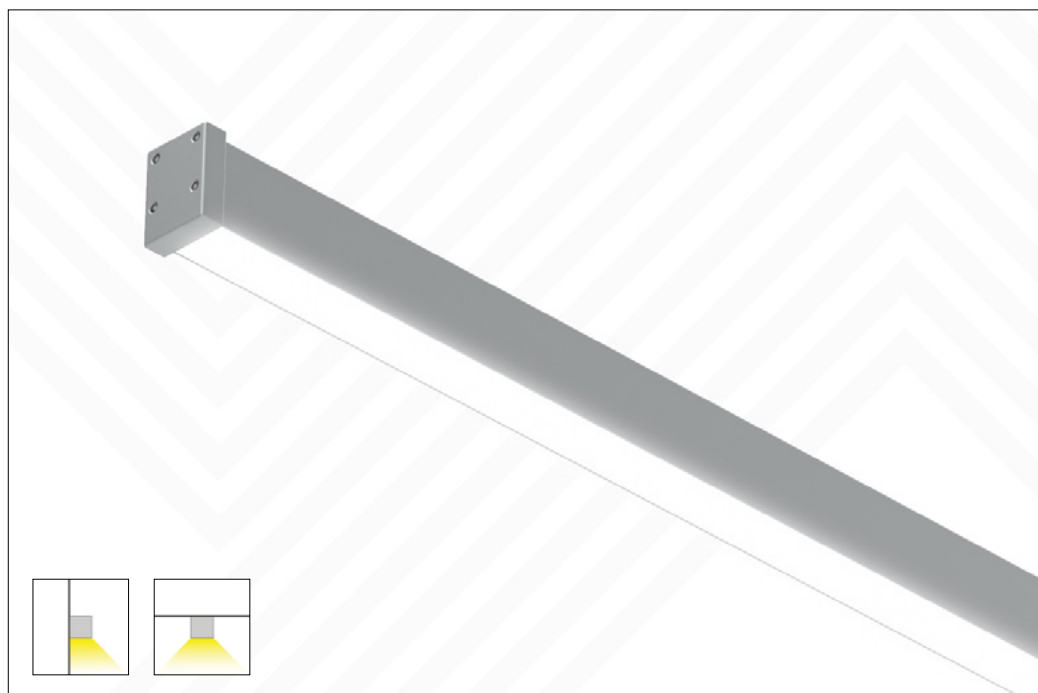
LED Drivers & Light Engines Included

Exceptions may apply. Enquire for more details.

SUSPENDED



WALL / SURFACE



INSTRUCTIONS

Digital users: Check selection boxes and fill in fields directly in fillable, interactive PDF, save file, submit to Light Forms.

Manual users: Check selection boxes and fill in fields with pen, scan and save ALL pages as PDF document, submit to Light Forms.

1. BASE MODEL / MOUNTING Select ONE

WP40S	Suspended
WP40W	Wall (with rotatable mounting bracket, see page 4)
WP40SM	Surface-mount

2. SIZE* Specify length(s) in metres up to 5, ex: 3.75

Length

3. DIRECT LINEAR LAMPING & LENS Select ONE from EVERY category (note exceptions below)

OUTPUT	CRI	CCT	LENS
MIN	80	2700K	DIFF/F Diffuse, flush (std.)
LOW	90	3000K	
MED		3500K	
TUNE/LOW*		4000K	
TUNE/MED*		5000K	
RGBW^		6500K	

*For TUNE/LOW and TUNE/MED, CRI and CCT do not apply (leave unchecked)

^For RGBW, CRI does not apply (leave unchecked) and select 3000K or 4000K CCT only. White LEDs can remain uncommissioned for RGB-only output.

4. INTEGRAL DRIVER Select ONE

NONDIM	Non-dimming
DALI#	DALI driver, dimming down to 1%
1/10V	1-10V, dimming down to 1%
0/10V	0-10V, dimming down to 0%
DMX^	DMX driver, dimming down to 1%
PHASE	For use with phase-cut triac, IGBT or sine wave dimmer switches

#DALI is required for use with TUNE/LOW and TUNE/MED; DALI (or DMX) is required for RGBW

^DMX (or DALI) is required for use with RGBW

5. FINISH* Select ONE

AL	Anodised aluminium (standard)
WH	White powdercoat
BLK	Black powdercoat
BZ	Metallic bronze powdercoat
RAL/ _ _ _ _	Custom RAL# colour powdercoat, ex: RAL/3000

*Contact factory for additional finish options including Interpon, Farrow & Ball and silver and gold plating

See RAL colour options and codes at lightforms.com/RAL

6. POWERFEED COLOUR Select ONE

GP	Grey (standard for suspended, default for other mountings)
WP	White
BP	Black
TP	Transparent
XP	Custom colour (contact Light Forms for options)

7. OPTIONAL ADD-ONS Select as many as apply

A. EMERGENCY

EM	Integral, 3-hour emergency battery, manual testing
EM/DALI	Integral, 3-hour emergency battery with DALI interface, automatic testing
EC	Emergency circuit

B. SENSOR

PRES	Remote, PIR presence detector
DALI/PRES	Remote, DALI-compatible PIR presence detector
PHOTO	Remotel, photocell/daylight detector

C. WIRELESS CONTROL

OLP*	Integral, Osram Lightify Pro wireless control module
------	--

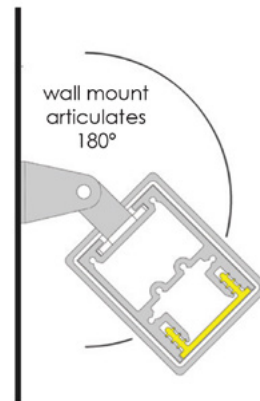
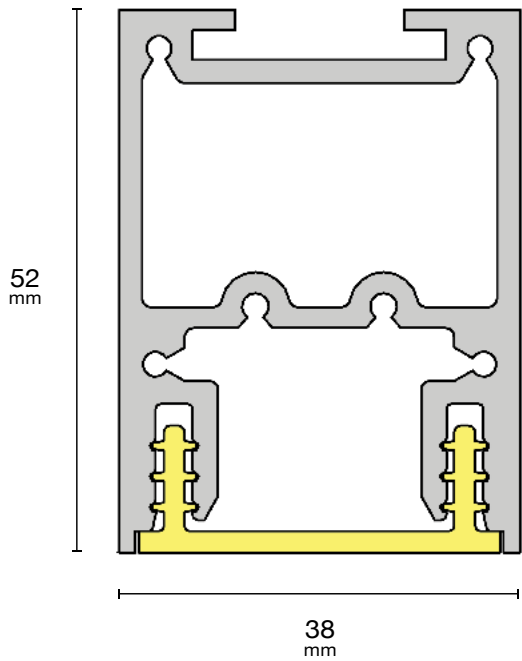
*Must choose DALI option in DRIVER section.

WetPlane 40

WP40 | Suspended, Wall, Surface

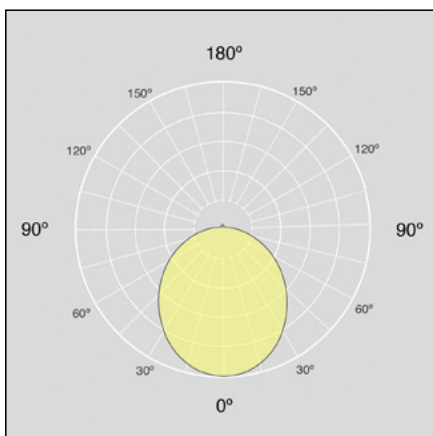
**LIGHT
FORMS**

DIMENSIONS



WALL MOUNT

DISTRIBUTION



DIRECT LINEAR LAMPING – OPTIONS & PERFORMANCE DATA*

OUTPUT OPTIONS	DELIVERED LUMENS* LM/M	WATTS* W/M	EFFICACY* LM/W	CRI OPTIONS	CCT OPTIONS	LENS OPTIONS
MIN[#]	703	12	59	80 90	2700K 3000K 3500K 4000K 5000K 6500K	DIFF/F
LOW[#]	1006	13.4	75			
MED[#]	1961	25	78			
TUNE/LOW^{#^}	Tunable White Standard 807 (at 4000K)	14	58	80	2700K-6500K	
TUNE/MED^{#^}	Tunable White High 1144 (at 4000K)	22	52	80	2700K-6500K	
RGBW	Colour-Changing RGB+White N/A (entire system) 237 (white only)	19.2 (entire system) 9 (white only)	N/A (entire system) 26 (white only)	N/A (entire system) 80 (white only)	3000K 4000K	

L80 > 50,000 hours

Luminous flux +/- 5%

**Performance data is based on a connected-load photometric test of MED output with 80 CRI at 4000K using a DALI driver and DIFF/F lens. Data values for all other outputs are extrapolations.*

^Performance data is extrapolated based on a 4000K setting. Cooler and warmer CCT settings will provide a slight decrease in performance – lower lm/m, higher W/m, and lower lm/W.

LENS OPTIONS

DIFF/F is a white satin, flush diffuser lens that produces smooth, even light across the lens surface.



Diffuse
DIFF/F

WetPlane 40

WP40 | Suspended, Wall, Surface

**LIGHT
FORMS**

SPECIFICATION DETAILS

HOUSING

100% recyclable, extruded architectural grade aluminium with minimum 2mm thickness.

FINISH OPTIONS

Standard finish is "Ultimate" aluminium - a smooth, clean and durable finish achieved from a deep etch, two-step clear anodising process. White, Black, Bronze or custom RAL powdercoat options are also specifiable. Contact Light Forms for other finish options (Interpon, Farrow & Ball, and silver and gold plating).



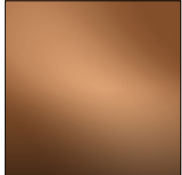
Aluminium
AL



White
WH



Black
BLK



Bronze
BZ



Custom RAL
RAL

View all RAL
colour options at:
<https://lightforms.com/RAL>

SUSPENSION MOUNT HARDWARE

Adjustable, cable bullet, cable gripper and aircraft cable provide for each suspension point.

REMOTE SENSORS

Optional, presence (PRES), DALI-compatible PIR presence (DALI/PRES) and daylight harvesting (PHOTO) sensors available. Contact Light Forms for further information.

WEIGHT

Approximately 2524 grams per linear metre. Weight will increase with the addition of emergency batteries and may vary further depending on mounting and other options.

OPERATING TEMPERATURE

Luminaire MUST be installed and operated ONLY in dry or damp environments where the ambient temperature ranges from -20°C to 50°C. Luminaire operation in environments outside this temperature range voids the warranty AND may damage the product or adversely impact lamp life, lumen output and colour consistency.

WARRANTY

5-year limited warranty. Details: lightforms.com/warranty

MANUFACTURING & CERTIFICATION

Products are manufactured in and comply with the health, safety and environmental protection standards of the respective region in which they are sold as indicated below.



Europe



Asia



Greater India
+ Middle East

WetPlane 40

WP40 | Suspended, Wall, Surface

**LIGHT
FORMS**

PHOTOS

