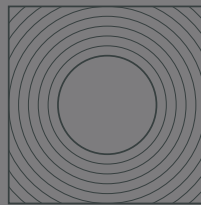


Cloud44 Acoustic

CLOUD44-RND-AC
CLOUD44-SQU-AC
CLOUD44-SSQ-AC



LIGHT FORMS

Acoustic

Acoustic Panels

The Cloud Acoustic range by Light Forms use a delicate indirect light to softly illuminate our specialist 9mm thick sound absorbing PET felt. The panels, available in a range of colours absorb much of the unwanted reflected noise and reverberation within a working environment. Ideal for use in open plan offices, breakout spaces, meeting rooms and an internal space where noise comfort is of importance.



Features

40mm wide, 44mm tall profile.

10 panel colours as standard.

Available in a range of standard RAL powdercoat finishes.

Suspended or surface Mount options available.

5 standard output options available.

Weighted sound absorption coefficient of 0.6. EN ISO1154:1997 Class C -

Fire rated PET panels to EN13501-1:2018 as B-s2, d0.

Tunable white options

Flush mounted PMMA Opal diffuser

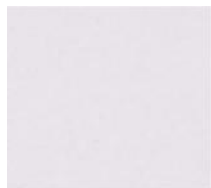
DALI, DMX, 1-10V, wireless dimming control options.

PIR and Emergency options.

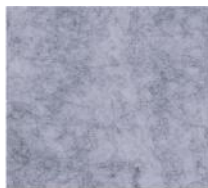
MacAdam 3-step LEDs.

L80 > 50,000hrs at 25°C Ta.

Panel Colours



IW - Ice White



LS - Light Smoke



ST - Sandstone



DS - Dark Smoke



BG - Bottle Green



SY - Sunshine Yellow



PM - Pastel Maroon



GB - Glacier Blue



LG - Lichen Green



MB - Midnight Blue

Body Colours

	9005	Jet Black		7022	Umbrage Grey
	9010	Pure White		7023	Concrete Grey
	1001	Beige		7024	Graphite Grey
	1002	Sand Yellow		7026	Granite Grey
	1007	Daffodil yellow		7030	Stone Grey
	1034	Pastel Yellow		7032	Pebble Grey
	1035	Pearl Beige		7035	Light Grey
	2004	Pure Orange		7037	Dusty Grey
	3011	Brown Red		7043	Traffic Grey B
	3012	Beige Red		7047	Telegrey 4
	4002	Red Violet		7048	Pearl Mouse Grey
	5001	Green Blue		8004	Copper Brown
	5002	Ultramarine Blue		8015	Chestnut Brown
	5008	Grey Blue		8019	Grey Brown
	5009	Azure Blue		8025	Pale Brown
	5011	Steel Blue		9001	Cream
	5012	Light Blue		9002	Grey White
	5013	Cobalt Blue		9003	Signal White
	5025	Pearl Gentian Blue		9004	Signal Black
	6000	Patina Green		9006	White Aluminium
	7009	green Grey		9007	Grey Aluminium
	7010	Tarpaulin Grey		9011	Graphite Black
	7012	Basalt Grey		9016	Traffic White
	7016	Anthracite Grey		9017	Traffic Black
	7021	Black Grey			

Light Forms also offers an extensive range of premium finishes, including specialist metallic finishes.



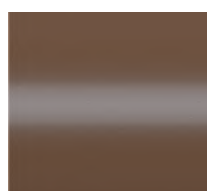
YW387I
Ordos Sable



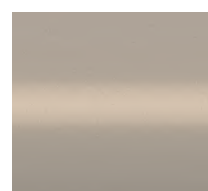
M3000I
Nickel Metallic



S2304I
Metallic Fine Texture



YX355F
Mars Sable



YW255F
Golden Beach



Y2205I
Golden Splendour



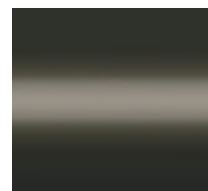
Y2M30I
Dark Bronze



RW404I
Copper Coarse



EW002E
Aluminium Metallic
Gloss

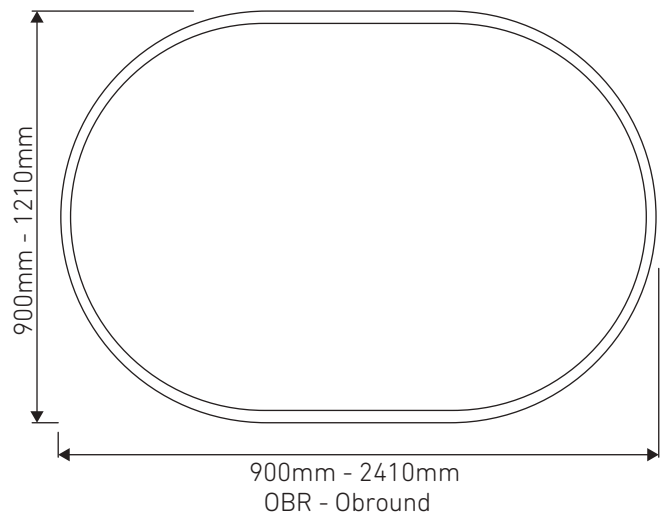
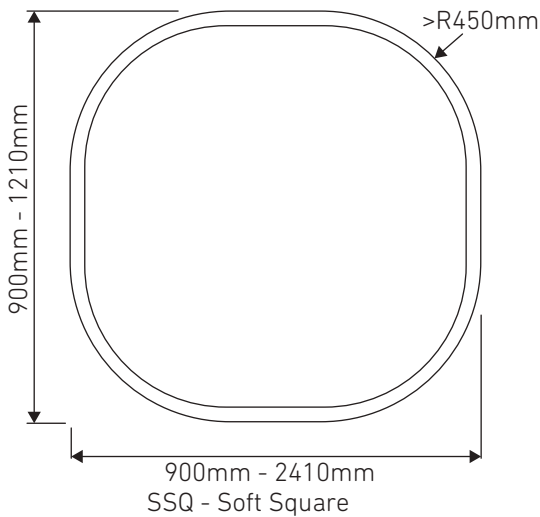
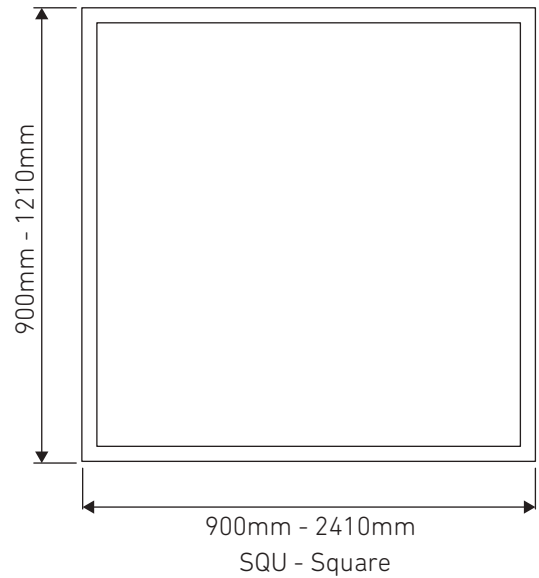
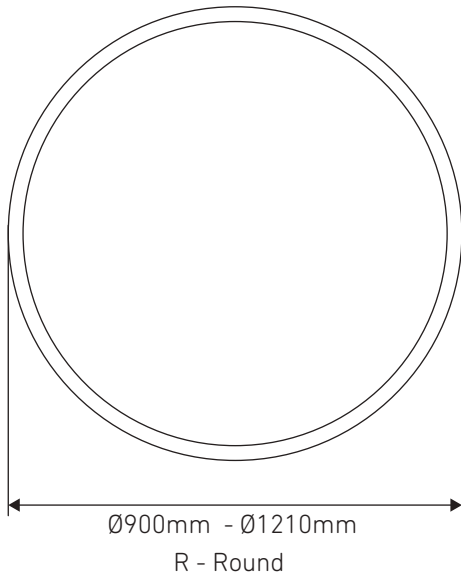


Y2214F
Anodic Bronze

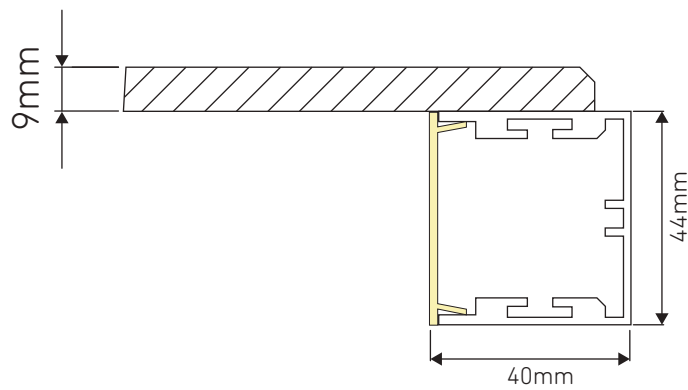


For full details and links to the Interpon powder range, click [here](#).

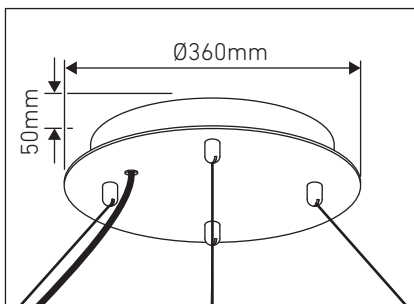
Dimensions



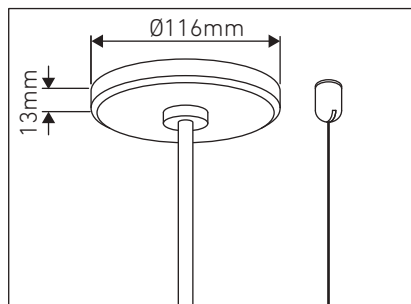
Dimensions



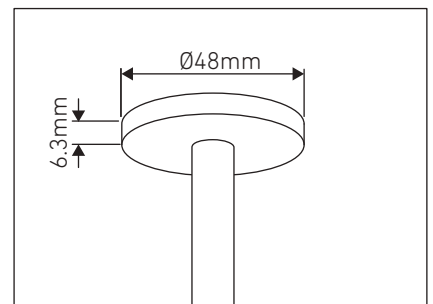
Number of suspension points may vary depending on size



CS Central Suspended



VS -Vertical Suspended



RD -Rod Suspended

*Length to be confirmed by site, not adjustable on site

Product Options

Direct Output Options

Medium
Tuneable Medium
RGBW

CRI Options

80CRI
90CRI

CCT Options

2700K
3000K
3500K
4000K

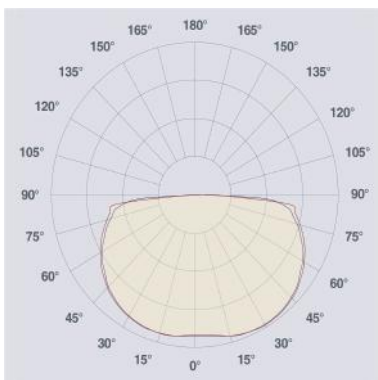
Control Options

Non Dimmable
DALI
1-10V
DMX
Wireless

Additions

DALI motion sensor
Standard motion Sensor
BASIC 3 hour emergency
DALI 3 hour emergency

Direct Distribution



Notes

L80 > 50,000 hours
Luminous flux +/- 5%

*Data provided is for either direct OR indirect distribution; performance values are the same for both.
#Performance data is based on a connected-load photometric test of MED output with 80 CRI at 4000K using a DALI driver and DIFF lens. Data values for all other outputs are extrapolations.

LENS options

DIFF is a white satin, flush or drop diffuser lens that produces smooth, even light across the lens surface.



Diffuse
DIFF
DIFD