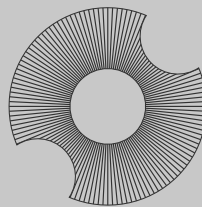


Leo

LEO — LED
99 mm diameter



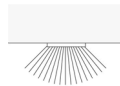
LIGHT FORMS

Spot

Specification



Recessed



Features

Direct Distribution

Up to 1442 LM and 109 LM/W

Three Standard Output Options

Tunable White and RGB+W Options

24° and 36° Beam Spreads

Remote DALI, DMX, 10V or Phase Driver

Dimming Down to 0%

Remote Sensor Options

Aluminium, White, Black, Bronze or Custom RAL Finish

Photometry and additional documentation at:
[LightForms.com /products/all/leo/](https://LightForms.com/products/all/leo/)

Leo — Recessed

INSTRUCTIONS

Digital users: Check selection boxes and fill in fields directly in fillable, interactive PDF, save file, submit to Light Forms.
Manual users: Check selection boxes and fill in fields with pen, scan and save ALL pages as PDF document, submit to Light Forms.

1 Base model / mounting Select ONE

LEOR Recessed

2 Spot Options Select ONE from EVERY category

Beam	Output	CRI	CCT
<input type="checkbox"/> 15 15° spread	<input type="checkbox"/> MIN	<input type="checkbox"/> 80	<input type="checkbox"/> 2700K
<input type="checkbox"/> 25 25° spread	<input type="checkbox"/> LOW	<input type="checkbox"/> 90	<input type="checkbox"/> 3000K
	<input type="checkbox"/> MED		<input type="checkbox"/> 3500K
			<input type="checkbox"/> 4000K

#For TUNE/S and RGB/S, CRI, and CCT do not apply (leave unchecked)

3 Remote driver* Select ONE

NONDIM Non-dimming

DALI# DALI driver, dimming down to 1%

1/10V 1-10V, dimming down to 1%

0/10V 0-10V, dimming down to 0%

DMX^ DMX driver, dimming down to 1%

PHASE For use with phase-cut triac, IGBT or sine wave dimmer switches

#DALI is required for use with TUNE/S; DALI (or DMX) is required for RGB/S

^DMX (or DALI) is required for use with RGB/S

4 Finish* Select ONE

AL Anodised aluminium (standard)

WH White powdercoat

BLK Black powdercoat

BZ Metallic bronze powdercoat

RAL/ _____ Custom RAL# colour powdercoat, ex: RAL/3000

*Contact factory for additional finish options including Interpon, Farrow & Ball and silver and gold plating

Leo — Recessed

5

Optional add-ons

Select as many as apply

A

EM

EMERGENCY

Remote, 3-hour emergency battery, manual testing

EM/DALI

Remote, 3-hour emergency battery with DALI interface, automatic testing

EC

Emergency circuit

B

PRES

SENSOR

Remote, PIR presence detector

DALI/PRES

Remote, DALI-compatible PIR presence detector

PHOTO

Remote, photocell/daylight detector

C

OLP*

WIRELESS CONTROL

Remote, Osram Lightify Pro wireless control module

*Must choose DALI option in DRIVER section.

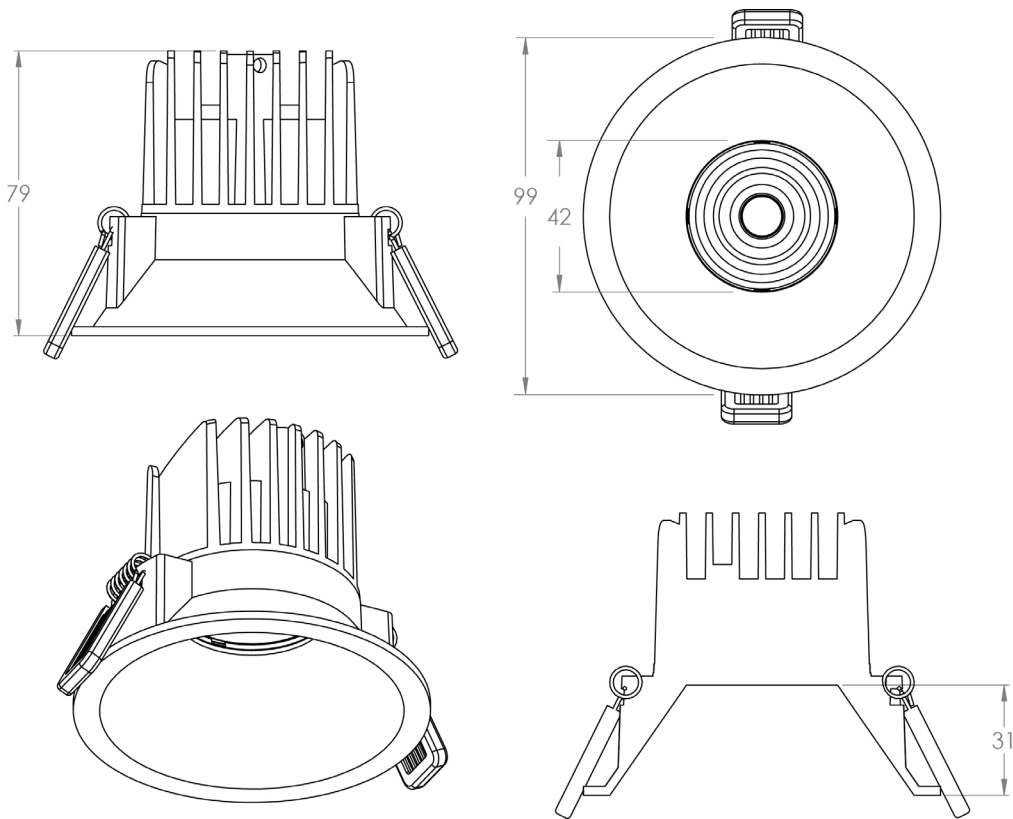
Leo

LIGHT FORMS

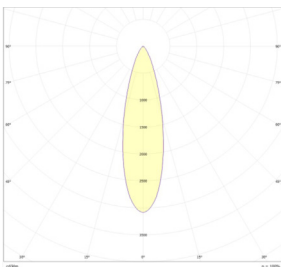
Leo — Recessed

Dimensions

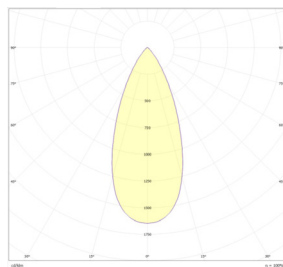
Direct only



Distribution



24 °



36 °

Leo — Recessed

Downlight spot – options & performance data

Output Options	Beam Degree Options	Delivered Lumens LM	Watts W	Efficacy LM/W	CRI Options	CCT Options
MIN	24	1043	10.1	103	80 90	2700K 3000K 3500K 4000K
	36					
LOW	24	1304	12	109		
	36					
MED	24	1442	13.5	107		
	36					

L80 > 50,000 hours

Luminous flux +/- 5%

#Performance calculations are based on connected-load photometric tests with 80 CRI at 4000K and 24° beam spread.

Leo

LIGHT FORMS

Leo — Recessed

Housing

100% recyclable, extruded architectural grade aluminium with minimum 2mm thickness.

Finish options

Silver, White, Black, Bronze or custom RAL powdercoat. Contact Light Forms for other finish options (Interpon, Farrow & Ball, and silver and gold plating).



Operating temperature

Luminaire MUST be installed and operated ONLY in dry or damp environments where the ambient temperature ranges from -20°C to 50°C. Luminaire operation in environments outside this temperature range voids the warranty AND may damage the product or adversely impact lamp life, lumen output and colour consistency.

Warranty

5-year limited warranty.

Manufacturing & certification

Products are manufactured in and comply with the health, safety and environmental protection standards of the respective region in which they are sold.



Europe



United Kingdom



Greater India
and Middle East