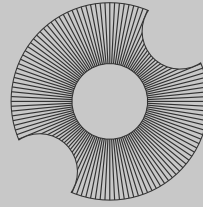


ValueDown

VD — LED
84 mm diameter



LIGHT FORMS

Spot

Specification



Recessed



Features

Direct Distribution

Up to 1510 LM and 100 LM/W

Two Standard Output Options

Tunable White and RGB+W Options

15°, 25° and 40° Beam Spreads

Remote DALI, DMX, 10V or Phase Driver

Dimming Down to 0%

Remote Sensor Options

Aluminium, White, Black, Bronze or Custom RAL Finish

Photometry and additional documentation at:
LightForms.com/products/all/valuedown/

VD — Recessed

INSTRUCTIONS

Digital users: Check selection boxes and fill in fields directly in fillable, interactive PDF, save file, submit to Light Forms.
Manual users: Check selection boxes and fill in fields with pen, scan and save ALL pages as PDF document, submit to Light Forms.

1 Base model / mounting Select ONE

VDR Recessed

2 Spot Options Select ONE from EVERY category

Beam	Output	CRI	CCT
<input type="checkbox"/> 15 15° spread	<input type="checkbox"/> MIN/S	<input type="checkbox"/> 80	<input type="checkbox"/> 2700K
<input type="checkbox"/> 25 25° spread	<input type="checkbox"/> LOW/S	<input type="checkbox"/> 90	<input type="checkbox"/> 3000K
<input type="checkbox"/> 40 40° spread	<input type="checkbox"/> TUNE/S#		<input type="checkbox"/> 4000K
	<input type="checkbox"/> RGBW/S#		

#For TUNE/S and RGB/S, CRI, and CCT do not apply (leave unchecked)

3 Remote driver* Select ONE

NONDIM Non-dimming

DALI# DALI driver, dimming down to 1%

1/10V 1-10V, dimming down to 1%

0/10V 0-10V, dimming down to 0%

DMX^ DMX driver, dimming down to 1%

PHASE For use with phase-cut triac, IGBT or sine wave dimmer switches

#DALI is required for use with TUNE/S; DALI (or DMX) is required for RGB/S

^DMX (or DALI) is required for use with RGB/S

4 Finish* Select ONE

AL Anodised aluminium (standard)

WH White powdercoat

BLK Black powdercoat

BZ Metallic bronze powdercoat

RAL/ _____ Custom RAL# colour powdercoat, ex: RAL/3000

*Contact factory for additional finish options including Interpon, Farrow & Ball and silver and gold plating

VD — Recessed

5

Optional add-ons

Select as many as apply

A

EMERGENCY

EM

Remote, 3-hour emergency battery, manual testing

EM/DALI

Remote, 3-hour emergency battery with DALI interface, automatic testing

EC

Emergency circuit

B

SENSOR

PRES

Remote, PIR presence detector

DALI/PRES

Remote, DALI-compatible PIR presence detector

PHOTO

Remote, photocell/daylight detector

C

WIRELESS CONTROL

OLP*

Remote, Osram Lightify Pro wireless control module

*Must choose DALI option in DRIVER section.

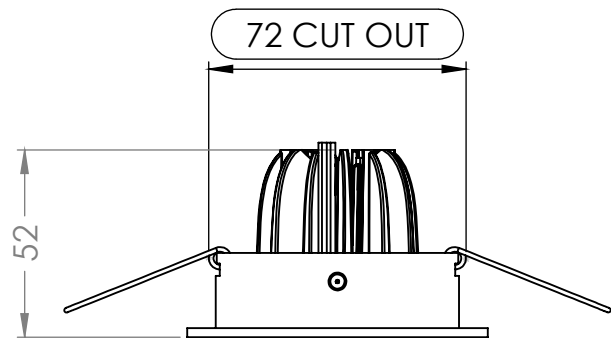
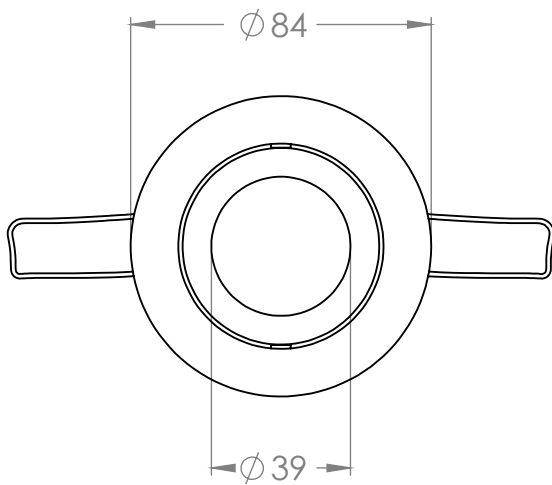
ValueDown

LIGHT FORMS

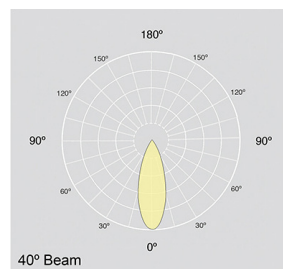
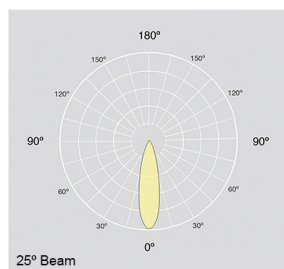
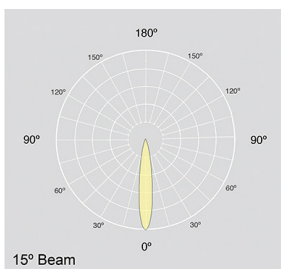
VD — Recessed

Dimensions

Direct only



Distribution



VD — Recessed

Downlight spot – options & performance data

Output Options	Beam Degree Options	Delivered Lumens LM	Watts W	Efficacy LM/W	CRI Options	CCT Options	Weight G
MIN/S	15	802	11.6	69	80 90	2700K 3000K 4000K	170
	25	1163		100			
	40	1101		95			
LOW/S	15	1120	15.9	70			
	25	1510		95			
	40	1430		90			
TUNE/S		Contact Light Forms for Options & Details					
RGB/S		Contact Light Forms for Options & Details					

L80 > 50,000 hours

Luminous flux +/- 5%

#Performance calculations are based on connected-load photometric tests with 80 CRI at 4000K and 40° beam spread.

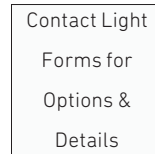
Spots



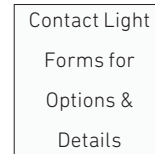
Minimum
MIN/S



Low
LOW/S



Contact Light
Forms for
Options &
Details
Tunable White
TUNE/S



Contact Light
Forms for
Options &
Details
RGB
RGB/S

ValueDown

LIGHT FORMS

VD — Recessed

Housing

100% recyclable, extruded architectural grade aluminium with minimum 2mm thickness.

Finish options

Silver, White, Black, Bronze or custom RAL powdercoat. Contact Light Forms for other finish options (Interpon, Farrow & Ball, and silver and gold plating).



Weight

Approximately 170 grams per unit. Weight may vary depending on mounting and other options.

Operating temperature

Luminaire MUST be installed and operated ONLY in dry or damp environments where the ambient temperature ranges from -20°C to 50°C. Luminaire operation in environments outside this temperature range voids the warranty AND may damage the product or adversely impact lamp life, lumen output and colour consistency.

Warranty

5-year limited warranty.

Manufacturing & certification

Products are manufactured in and comply with the health, safety and environmental protection standards of the respective region in which they are sold.



Europe



United Kingdom



Greater India
and Middle East